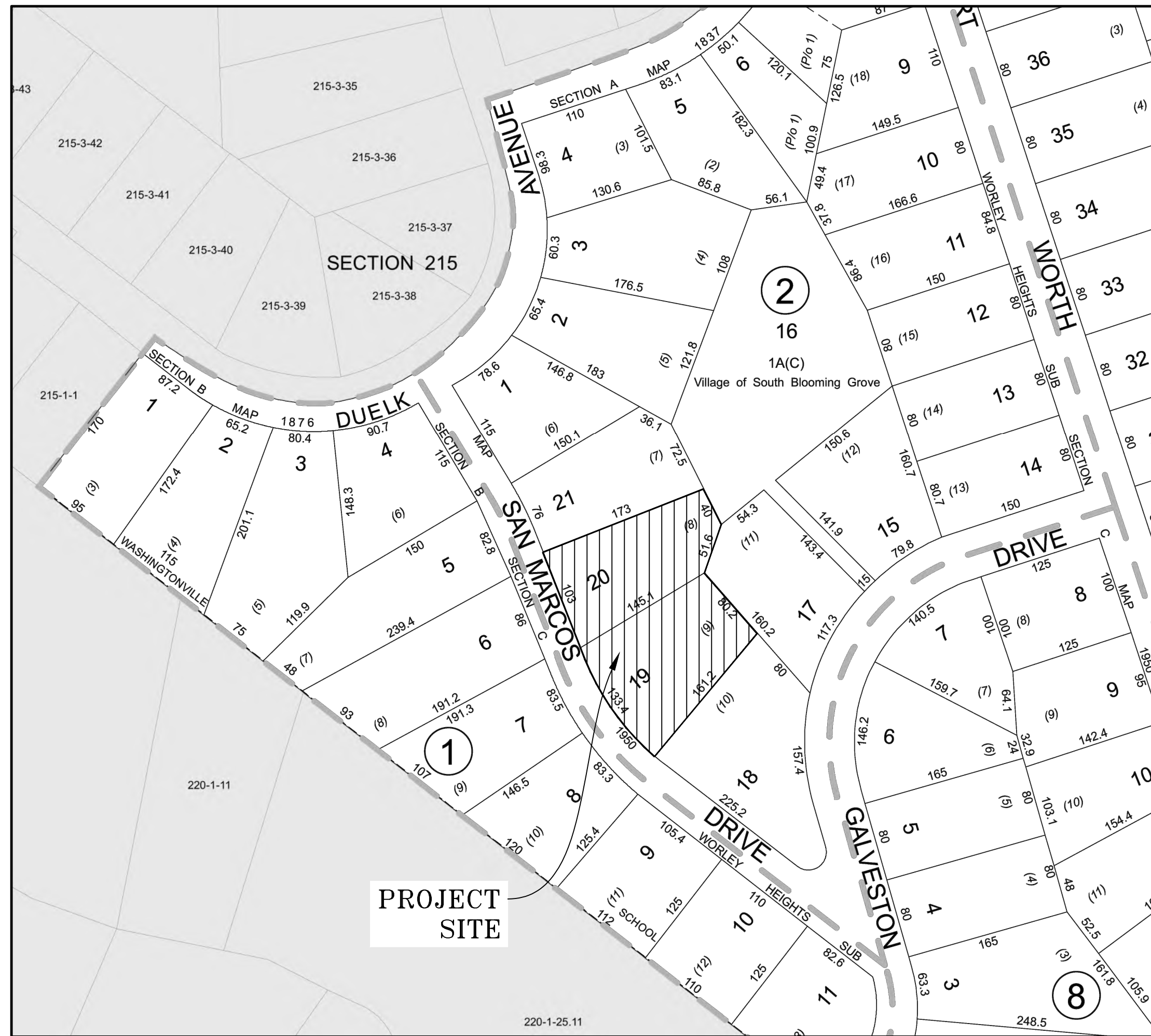


THREE LOT SUBDIVISION PREPARED FOR 3-5 SAN MARCOS DRIVE VILLAGE OF SOUTH BLOOMING GROVE, ORANGE COUNTY, NEW YORK

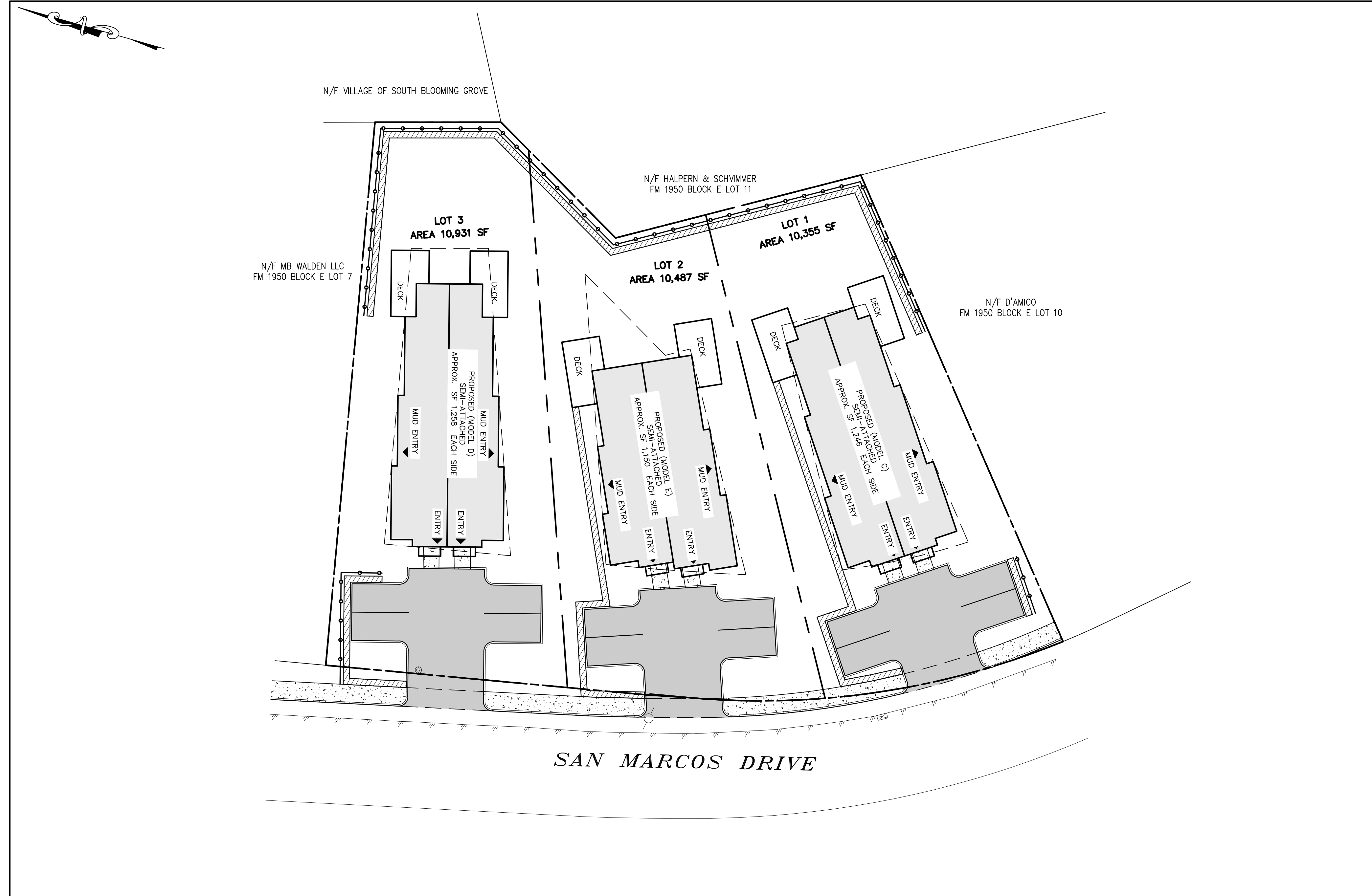


LOCATION MAP
SCALE: 1"=100'

GENERAL NOTES:

1. RECORD OWNER & APPLICANT:
LOT 19: GEDALYA FELDMAN
5 SAN MARCOS DR
MONROE NY 10950
LOT 20: ARON WENDLOWITZ
6 DAWIDER BLVD UNIT 101
MONROE NY 10950
2. PROPERTY ADDRESS:
3-5 SAN MARCOS DRIVE,
VILLAGE OF SOUTH BLOOMING GROVE,
ORANGE COUNTY, NEW YORK
3. TAX MAP NUMBER:
SECTION 221, BLOCK 2, LOT 19-20
4. DEED REFERENCE:
LOT 19: LIBER 14229, PAGE 660
LOT 20: LIBER 14626, PAGE 1988
5. PARCEL AREA/SIZE:
LOT 19: 16,715 SQ.FT
LOT 20: 14,983 SQ.FT

DRAWING LIST		
SHEET #	SHEET TITLE	ORIGINAL DATE/ LAST REVISED DATE
01 OF 11	TITLE SHEET	06-09-23 /
02 OF 11	EXISTING CONDITIONS PLAN	06-09-23 /
03 OF 11	DEMOLITION PLAN	06-09-23 /
04 OF 11	SITE PLAN	06-09-23 /
05 OF 11	GRADING & UTILITY PLAN	06-09-23 /
06 OF 11	EROSION AND SEDIMENT CONTROL PLAN	06-09-23 /
07 OF 11	EROSION AND SEDIMENT CONTROL DETAILS	06-09-23 /
08 OF 11	CONSTRUCTION DETAILS	06-09-23 /
09 OF 11	SANITARY DETAILS	06-09-23 /
10 OF 11	WATER SUPPLY DETAILS	06-09-23 /
11 OF 11	CONSTRUCTION SPECIFICATIONS	06-09-23 /



TITLE SHEET
SCALE: 1"=20'

REV.	BY	DATE	DESCRIPTION

THIS SHEET IS NOT VALID WITHOUT ALL OF THE SHEETS THAT COMPRISE THE SET

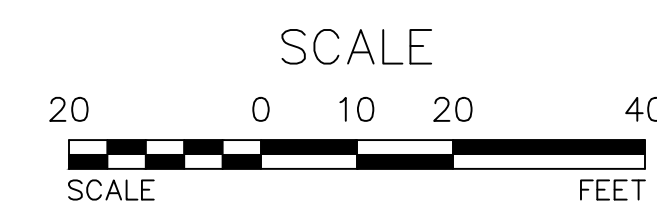
ARDEN CONSULTING ENGINEERS, PLLC
P.O. BOX 340 MONROE, N.Y.
TEL: (845) 782-8114
WWW.ARDENCONSULTING.NET



THREE LOT SUBDIVISION PREPARED FOR
3-5 SAN MARCOS DRIVE
VILLAGE OF SOUTH BLOOMING GROVE,
ORANGE COUNTY, NEW YORK

JOB#: 23-019
SCALE: AS NOTED
DATE: 06-09-23
DRAWN: MM
CHECKED: MM
SHEET NO. 01 of 11

TITLE SHEET



WARNING- IT IS A VIOLATION OF NEW YORK EDUCATIONAL LAW, SECTION 7209.2, FOR ANY PERSON, UNLESS ACTING UNDER THE DIRECTION OF A LICENSED PROFESSIONAL ENGINEER OR LAND SURVEYOR, TO ALTER THIS DOCUMENT IN ANY WAY. IF ALTERED, THE ALTERING PERSON SHALL COMPLY WITH THE REQUIREMENTS OF NEW YORK EDUCATIONAL LAW, SECTION 7209.2
ONLY MAPS WITH EMBOSSED SEALS ARE GENUINE COPIES OF THE ORIGINAL WORK AND OPINION. MAPS NOT BEARING EMBOSSED SEALS SHOULD NOT BE RELIED UPON SINCE OTHER THAN EMBOSSED-SEAL COPIES MAY CONTAIN UNAUTHORIZED AND UNDETECTABLE MODIFICATIONS, DELETIONS, ADDITIONS AND CHANGES.



- LEGEND:**
- 490 --- EXISTING MAJOR CONTOUR
 - --- EXISTING MINOR CONTOUR
 - ==== EXISTING EDGE OF PAVEMENT
 - EXISTING PROPERTY LINE
 - EXISTING ADJACENT PROPERTY LINE
 - X-X- EXISTING FENCE
 - X---X--- EXISTING OVERHEAD WIRE
 - EXISTING POLE
 - ⊙ EXISTING WELL
 - ⊙ EXISTING SEWER MANHOLE

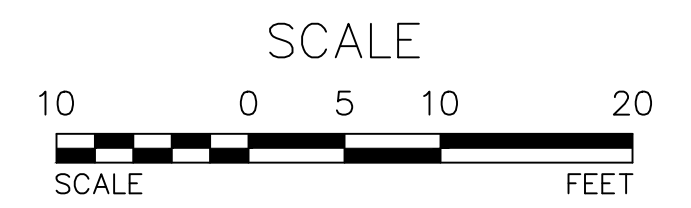
WARNING- IT IS A VIOLATION OF NEW YORK EDUCATIONAL LAW, SECTION 7209.2, FOR ANY PERSON, UNLESS ACTING UNDER THE DIRECTION OF A LICENSED PROFESSIONAL ENGINEER OR LAND SURVEYOR, TO ALTER THIS DOCUMENT IN ANY WAY. IF ALTERED, THE ALTERING PERSON SHALL COMPLY WITH THE REQUIREMENTS OF NEW YORK EDUCATIONAL LAW, SECTION 7209.2

ONLY MAPS WITH EMBOSSED SEALS ARE GENUINE COPIES OF THE ORIGINAL WORK AND OPINION. MAPS NOT BEARING EMBOSSED SEALS SHOULD NOT BE RELIED UPON SINCE OTHER THAN EMBOSSED-SEAL COPIES MAY CONTAIN UNAUTHORIZED AND UNDETECTABLE MODIFICATIONS, DELETIONS, ADDITIONS AND CHANGES.



SAN MARCOS DRIVE

EXISTING CONDITIONS PLAN
SCALE: 1"=10'



REV.	BY	DATE	DESCRIPTION

THIS SHEET IS NOT VALID WITHOUT ALL OF THE SHEETS THAT COMPRISE THE SET

ARDEN CONSULTING ENGINEERS, PLLC
 P.O. BOX 340 MONROE, N.Y.
 TEL: (845) 782-8114
 WWW.ARDENCONSULTING.NET

THREE LOT SUBDIVISION PREPARED FOR
3-5 SAN MARCOS DRIVE
 VILLAGE OF SOUTH BLOOMING GROVE,
 ORANGE COUNTY, NEW YORK

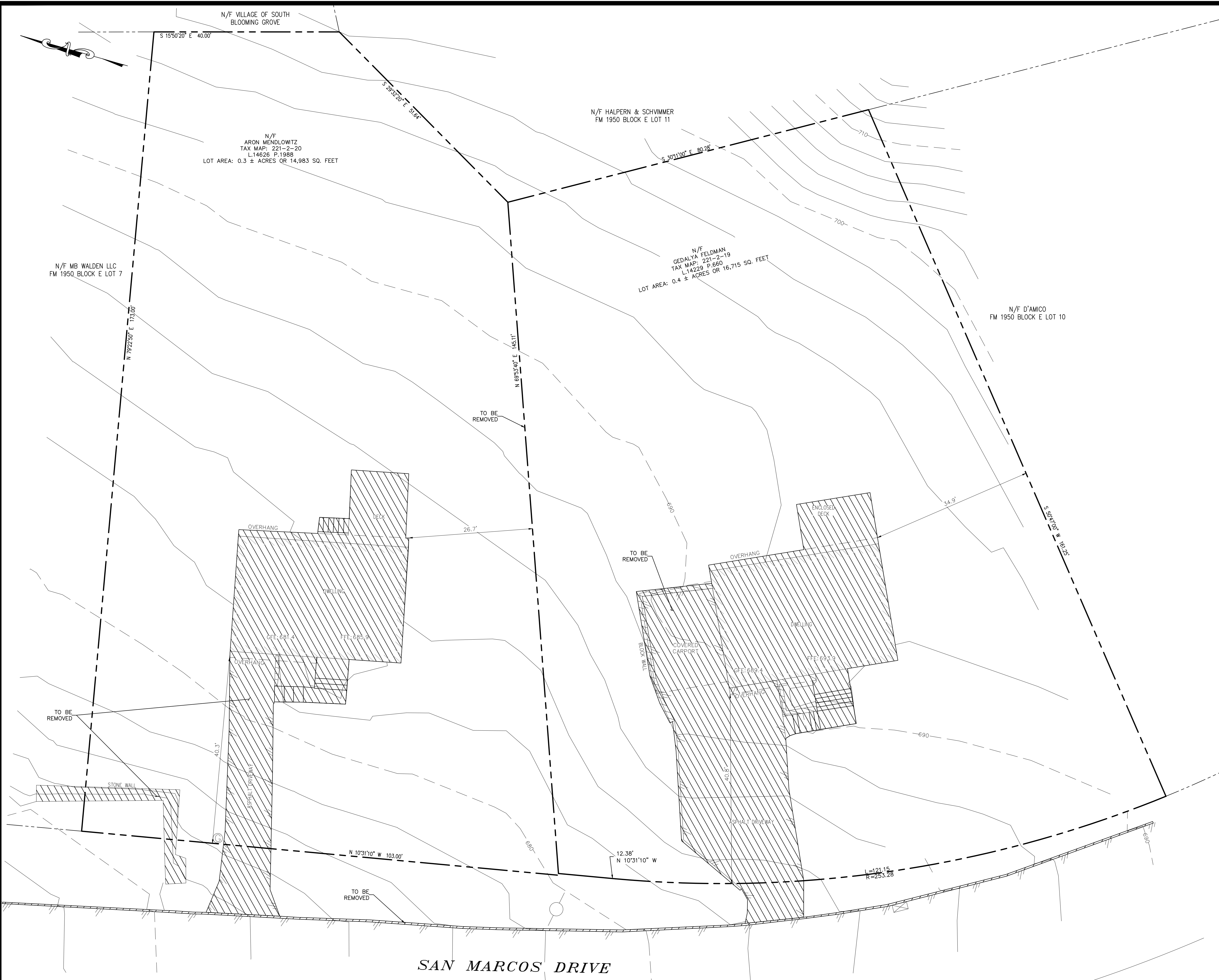
EXISTING CONDITIONS PLAN

MICHAEL A. MORGANTE, P.E.
LIC. NO. 78577

JOB#: 23-019
 SCALE: AS NOTED
 DATE: 06-09-23
 DRAWN: MM
 CHECKED: MM
 SHEET NO. 02 of 11

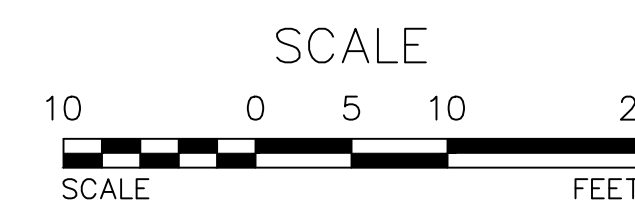
LEGEND:

---	490	---	EXISTING MAJOR CONTOUR
---		---	EXISTING MINOR CONTOUR
---		---	EXISTING EDGE OF PAVEMENT
---		---	EXISTING PROPERTY LINE
---		---	EXISTING ADJACENT PROPERTY LINE
---		---	EXISTING FENCE
X		X	EXISTING OVERHEAD WIRE
OHW		OHW	EXISTING POLE
○		○	EXISTING WELL
⊙		⊙	EXISTING SEWER MANHOLE
▨		▨	EXISTING ENTITY TO BE REMOVE



SAN MARCOS DRIVE

DEMOLITION PLAN
SCALE: 1"=10'



REV.	BY	DATE	DESCRIPTION

THIS SHEET IS NOT VALID WITHOUT ALL OF THE SHEETS THAT COMPRISE THE SET

ARDEN CONSULTING ENGINEERS, PLLC
P.O. BOX 340 MONROE, N.Y.
TEL: (845) 782-8114
WWW.ARDENCONSULTING.NET



THREE LOT SUBDIVISION PREPARED FOR
3-5 SAN MARCOS DRIVE
VILLAGE OF SOUTH BLOOMING GROVE,
ORANGE COUNTY, NEW YORK

DEMOLITION PLAN

JOB#: 23-019
SCALE: AS NOTED
DATE: 06-09-23
DRAWN: MM
CHECKED: MM
SHEET NO. 03 of 11

MICHAEL A. MORGANTE, P.E.
LIC. NO. 78577

WARNING- IT IS A VIOLATION OF NEW YORK EDUCATIONAL LAW, SECTION 7209.2, FOR ANY PERSON, UNLESS ACTING UNDER THE DIRECTION OF A LICENSED PROFESSIONAL ENGINEER OR LAND SURVEYOR, TO ALTER THIS DOCUMENT IN ANY WAY. IF ALTERED, THE ALTERING PERSON SHALL COMPLY WITH THE REQUIREMENTS OF NEW YORK EDUCATIONAL LAW, SECTION 7209.2

ONLY MAPS WITH EMBOSSED SEALS ARE GENUINE COPIES OF THE ORIGINAL WORK AND OPINION. MAPS NOT BEARING EMBOSSED SEALS SHOULD NOT BE RELIED UPON SINCE OTHER THAN EMBOSSED-SEAL COPIES MAY CONTAIN UNAUTHORIZED AND UNDETECTABLE MODIFICATIONS, DELETIONS, ADDITIONS AND CHANGES.





LEGEND:

- 490 --- EXISTING MAJOR CONTOUR
- EXISTING MINOR CONTOUR
- EXISTING EDGE OF PAVEMENT
- EXISTING PROPERTY LINE
- EXISTING ADJACENT PROPERTY LINE
- X-X- EXISTING FENCE
- OHW --- EXISTING OVERHEAD WIRE
- EXISTING POLE
- ⊙ EXISTING WELL
- ⊙ EXISTING SEWER MANHOLE
- PROPOSED SETBACK
- PROPOSED EDGE OF PAVEMENT
- PROPOSED SPLIT RAIL FENCE

**BULK REQUIREMENTS
ZONING DISTRICT: RB (RESIDENCE B)**

	REQUIRED	LOT 1	LOT 2	LOT 3
MIN. LOT AREA (GROSS)	12,000 SF			
MIN. LOT AREA (NET)	10,000 SF			
MINIMUM FRONTAGE		77.90 FT	81.89 FT	76.95 FT
MAXIMUM BUILDING COVERAGE		24.07%	22.08%	23.03%
MIN. FRONT YARD SETBACK		40 FT	40 FT	40 FT
MIN. REAR YARD SETBACK		40 FT	40.5 FT	51.2 FT
MIN. SIDE YARD SETBACK		15 FT	15 FT	15 FT
MAX. HEIGHT (FEET)	35 FT			
MAX. HEIGHT (STORIES)	2 STORIES			

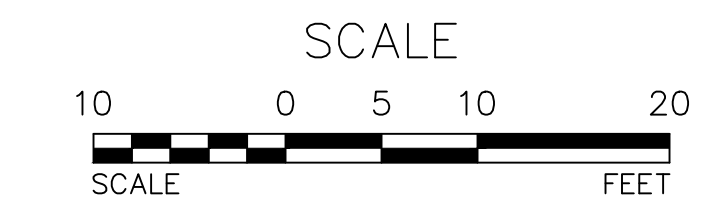
WARNING- IT IS A VIOLATION OF NEW YORK EDUCATIONAL LAW, SECTION 7209.2, FOR ANY PERSON, UNLESS ACTING UNDER THE DIRECTION OF A LICENSED PROFESSIONAL ENGINEER OR LAND SURVEYOR, TO ALTER THIS DOCUMENT IN ANY WAY. IF ALTERED, THE ALTERING PERSON SHALL COMPLY WITH THE REQUIREMENTS OF NEW YORK EDUCATIONAL LAW, SECTION 7209.2

ONLY MAPS WITH EMBOSSED SEALS ARE GENUINE COPIES OF THE ORIGINAL WORK AND OPINION. MAPS NOT BEARING EMBOSSED SEALS SHOULD NOT BE RELIED UPON SINCE OTHER THAN EMBOSSED-SEAL COPIES MAY CONTAIN UNAUTHORIZED AND UNDETECTABLE MODIFICATIONS, DELETIONS, ADDITIONS AND CHANGES.



SAN MARCOS DRIVE

PROPOSED THREE LOT SUBDIVISION
SCALE: 1"=10'



REV.	BY	DATE	DESCRIPTION

THIS SHEET IS NOT VALID WITHOUT ALL OF THE SHEETS THAT COMPRISE THE SET

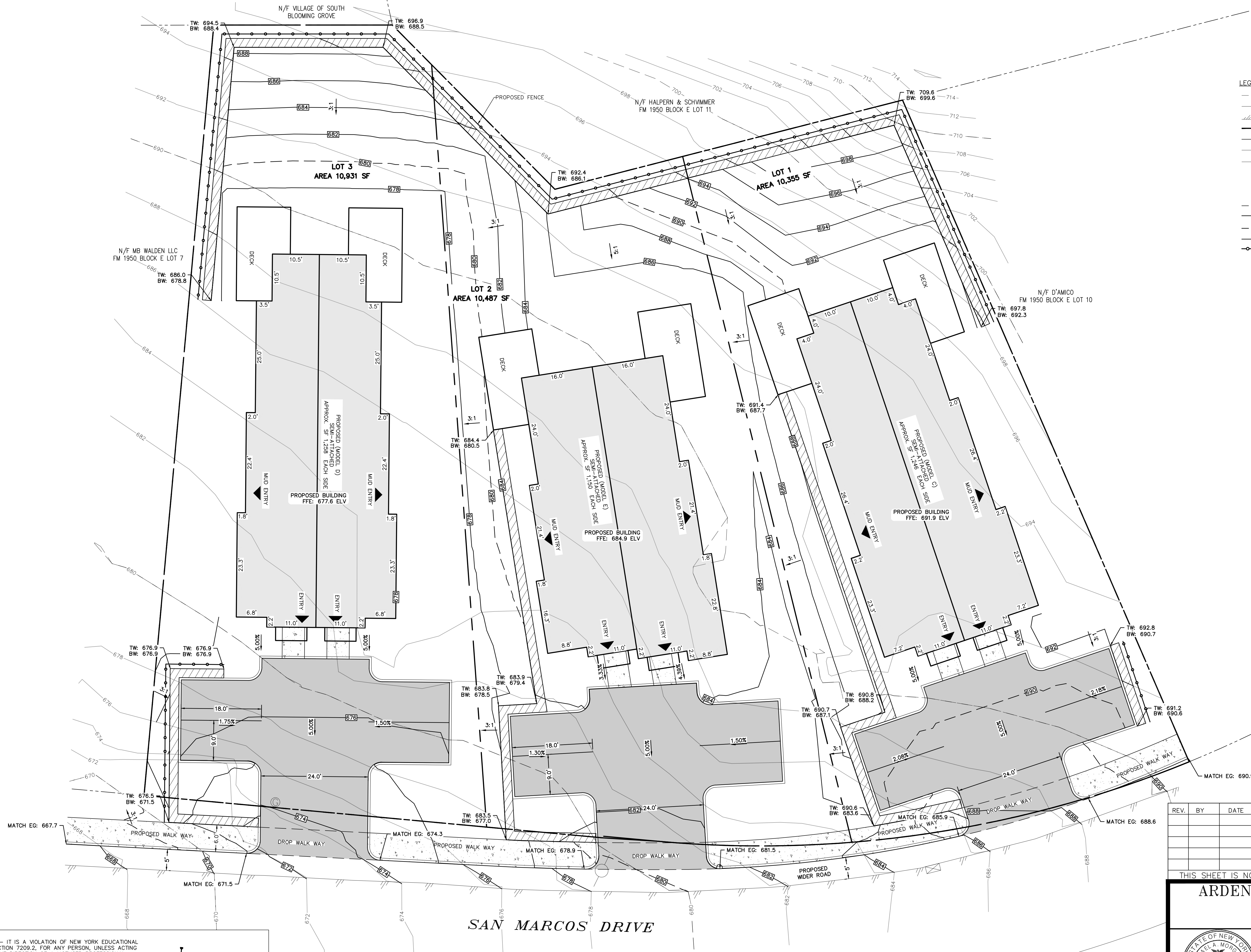
ARDEN CONSULTING ENGINEERS, PLLC
P.O. BOX 340 MONROE, N.Y.
TEL: (845) 782-8114
WWW.ARDENCONSULTING.NET

THREE LOT SUBDIVISION PREPARED FOR
3-5 SAN MARCOS DRIVE
VILLAGE OF SOUTH BLOOMING GROVE,
ORANGE COUNTY, NEW YORK

JOB#: 23-019
SCALE: AS NOTED
DATE: 06-09-23
DRAWN: MM
CHECKED: MM
SHEET NO. 04 of 11

PROPOSED THREE LOT SUBDIVISION

MICHAEL A. MORGANTE, P.E.
LIC. NO. 78577



LEGEND:

---	490	---	EXISTING MAJOR CONTOUR
---		---	EXISTING MINOR CONTOUR
---		---	EXISTING EDGE OF PAVEMENT
---		---	EXISTING PROPERTY LINE
---		---	EXISTING ADJACENT PROPERTY LINE
X	X		EXISTING FENCE
CHW	CHW		EXISTING OVERHEAD WIRE
		○	EXISTING POLE
		⊙	EXISTING WELL
		⊙	EXISTING SEWER MANHOLE
---		---	PROPOSED SETBACK
---		---	PROPOSED EDGE OF PAVEMENT
---	490	---	PROPOSED MAJOR CONTOUR
---	578	---	PROPOSED MINOR CONTOUR
---		---	PROPOSED SPLIT RAIL FENCE

TREE CLEARING NOTE:
 NO TREE REMOVAL SHALL OCCUR FROM APRIL 1 TO OCTOBER 31 TO MITIGATE POTENTIAL IMPACTS ON NORTHERN LONG EARED BAT

REV.	BY	DATE	DESCRIPTION

THIS SHEET IS NOT VALID WITHOUT ALL OF THE SHEETS THAT COMPRISE THE SET

ARDEN CONSULTING ENGINEERS, PLLC
 P.O. BOX 340 MONROE, N.Y.
 TEL: (845) 782-8114
 WWW.ARDENCONSULTING.NET

THREE LOT SUBDIVISION PREPARED FOR
3-5 SAN MARCOS DRIVE
 VILLAGE OF SOUTH BLOOMING GROVE,
 ORANGE COUNTY, NEW YORK

GRADING & UTILITY PLAN

JOB#: 23-019
 SCALE: AS NOTED
 DATE: 06-09-23
 DRAWN: MM
 CHECKED: MM
 SHEET NO. 05 of 11

MICHAEL A. MORGANTE, P.E.
 LIC. NO. 78577

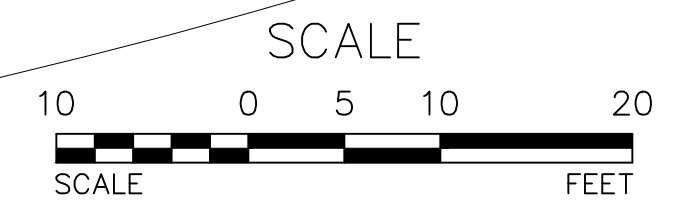
Dig Safely. New York
Call 811
 before you dig

WARNING- IT IS A VIOLATION OF NEW YORK EDUCATIONAL LAW, SECTION 7209.2, FOR ANY PERSON, UNLESS ACTING UNDER THE DIRECTION OF A LICENSED PROFESSIONAL ENGINEER OR LAND SURVEYOR, TO ALTER THIS DOCUMENT IN ANY WAY. IF ALTERED, THE ALTERING PERSON SHALL COMPLY WITH THE REQUIREMENTS OF NEW YORK EDUCATIONAL LAW, SECTION 7209.2

ONLY MAPS WITH EMBOSSED SEALS ARE GENUINE COPIES OF THE ORIGINAL WORK AND OPINION. MAPS NOT BEARING EMBOSSED SEALS SHOULD NOT BE RELIED UPON SINCE OTHER THAN EMBOSSED-SEAL COPIES MAY CONTAIN UNAUTHORIZED AND UNDETECTABLE MODIFICATIONS, DELETIONS, ADDITIONS AND CHANGES.

SAN MARCOS DRIVE

GRADING & UTILITY PLAN
 SCALE: 1"=10'





LEGEND:

---	490	---	EXISTING MAJOR CONTOUR
---		---	EXISTING MINOR CONTOUR
---		---	EXISTING EDGE OF PAVEMENT
---		---	EXISTING PROPERTY LINE
---		---	EXISTING ADJACENT PROPERTY LINE
X	X		EXISTING FENCE
OHW	OHW		EXISTING OVERHEAD WIRE
○			EXISTING POLE
○			EXISTING WELL
○			EXISTING SEWER MANHOLE
---		---	PROPOSED SETBACK
---		---	PROPOSED EDGE OF PAVEMENT
---		---	PROPOSED MAJOR CONTOUR
---		---	PROPOSED MINOR CONTOUR
---		---	PROPOSED SPLIT RAIL FENCE
---		---	PROPOSED LIMIT OF DISTURBANCE
---		---	PROPOSED SILT FENCE
---		---	PROPOSED SOIL STOCKPILE
---		---	PROPOSED 10'x10' CONCRETE WASHOUT

LIMITS OF DISTURBANCE AREA: 0.79 ACRES

REV.	BY	DATE	DESCRIPTION

THIS SHEET IS NOT VALID WITHOUT ALL OF THE SHEETS THAT COMPRISE THE SET

ARDEN CONSULTING ENGINEERS, PLLC
P.O. BOX 340 MONROE, N.Y.
TEL: (845) 782-8114
WWW.ARDENCONSULTING.NET

THREE LOT SUBDIVISION PREPARED FOR
3-5 SAN MARCOS DRIVE
VILLAGE OF SOUTH BLOOMING GROVE,
ORANGE COUNTY, NEW YORK

EROSION AND SEDIMENT CONTROL PLAN

Job#: 23-019
Scale: AS NOTED
Date: 06-09-23
Drawn: MM
Checked: MM
Sheet No: 06 of 11

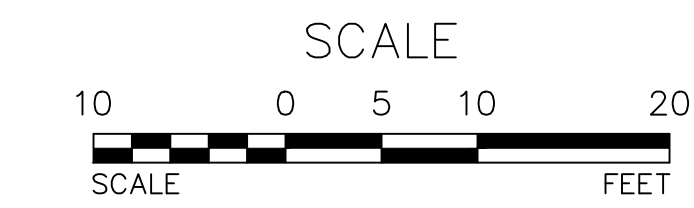
MICHAEL A. MORGANTE, P.E.
LIC. NO. 78577

WARNING- IT IS A VIOLATION OF NEW YORK EDUCATIONAL LAW, SECTION 7209.2, FOR ANY PERSON, UNLESS ACTING UNDER THE DIRECTION OF A LICENSED PROFESSIONAL ENGINEER OR LAND SURVEYOR, TO ALTER THIS DOCUMENT IN ANY WAY. IF ALTERED, THE ALTERING PERSON SHALL COMPLY WITH THE REQUIREMENTS OF NEW YORK EDUCATIONAL LAW, SECTION 7209.2

ONLY MAPS WITH EMBOSSED SEALS ARE GENUINE COPIES OF THE ORIGINAL WORK AND OPINION. MAPS NOT BEARING EMBOSSED SEALS SHOULD NOT BE RELIED UPON SINCE OTHER THAN EMBOSSED-SEAL COPIES MAY CONTAIN UNAUTHORIZED AND UNDETECTABLE MODIFICATIONS, DELETIONS, ADDITIONS AND CHANGES.



EROSION AND SEDIMENT CONTROL PLAN
SCALE: 1"=10'



BEST MANAGEMENT PRACTICES FOR SITE FACILITY MAINTENANCE

THE OWNER WILL BE RESPONSIBLE FOR THE MAINTENANCE AND OPERATION OF ALL SITE RELATED FACILITIES, INCLUDING THE STORM WATER SEDIMENT AND DETENTION BASINS AND THE FOLLOWING MEASURES AND/OR STRUCTURES, AS APPLICABLE AND SHOWN ON THE PLANS:

WATER QUALITY INLETS

- 1. WATER QUALITY INLETS SHALL BE CLEANED OUT AT LEAST TWICE A YEAR TO REMOVE POLLUTANTS. REMOVED MATERIAL SHOULD BE TAKEN TO A TREATMENT PLANT OR APPROVED LANDFILL FOR DISPOSAL.
- 2. STORM WATER INLETS THROUGHOUT THE SITE SHALL BE INSPECTED ANNUALLY FOR ACCUMULATED SEDIMENT OR OTHER PROBLEMS AND REPAIRED AS NECESSARY.

PARKING AND ROADWAY PAVEMENTS

- 1. PARKING AREA AND ROADWAY PAVEMENTS SHALL BE SWEEP ON A REGULAR BASIS TO REMOVE ACCUMULATED SEDIMENT. COLLECTED SEDIMENT SHALL BE REMOVED TO AN APPROVED DISPOSAL SITE WHICH WILL NOT ALLOW THE RE-ENTRANCE OF SILT INTO THE STORM WATER DRAINAGE SYSTEM.

VEGETATIVE STABILIZATION

- 1. ALL VEGETATIVE PLANTING ON AREAS WHICH HAVE BEEN DISTURBED AND ARE FINISH GRADED SHALL BE INSPECTED AFTER EACH RAIN EVENT. PLANTING (OR SEEDING) SHALL BE MAINTAINED IN A VIABLE CONDITION TO STABILIZE THE SOIL AND TO PREVENT SOIL EROSION. RESTORE ALL SITE PLANTING AND/OR SEEDING WHICH HAS BEEN DAMAGED TO A VIABLE CONDITION.
- 2. IF VEGETATIVE STABILIZATION HAS BEEN DAMAGED FROM STORM WATER EROSION, CORRECT UPSTREAM CONDITIONS WHICH CAUSED THE EROSION. CHECK DAMS MAY BE REQUIRED IN DRAINAGE WAYS, AND STONE OUTFALL APRONS MAY BE REQUIRED TO BE REPAIRED AT STORM WATER OUTLETS.

CONSTRUCTION ACTIVITY

- 1. CONSTRUCTION ACTIVITIES WILL OCCUR DURING WEEKDAYS COMMENCING AT 7:00 AM AND TERMINATING AT 6:00 PM

EROSION AND SILTATION CONTROL NOTES:

- 1. GRADED AREAS – UPPER ELEVATIONS: PROVIDE TEMPORARY DRAINAGE SWALES, 1% GRADE MIN., TO DIRECT RUNOFF AWAY FROM CONSTRUCTION SITES. DISCHARGE AREAS AND ENERGY DISPERSION REQUIREMENTS TO BE ACCEPTABLE TO OWNER.
- 2. GRADED AREAS – LOWER ELEVATIONS: PROVIDE DRAINAGE SWALES, 1% MIN. GRADES, WITH STAKED AND SECURED HAY BALE BERMS TO PREVENT DOWN STREAM AND DOWN GRADIENT SILTATION.

SEDIMENT & EROSION CONTROL NOTES & CONSTRUCTION SEQUENCING

- 1. CONSTRUCT STABILIZED CONSTRUCTION ENTRANCES FOR ALL ROAD AND DRIVE ENTRANCES. STREETS SHALL BE CLEANED DAILY.
- 2. INSTALL SEDIMENT BARRIERS/SWALES/DICHES/DIKES AT DOWN SLOPE AREAS FROM ALL PROPOSED GRADING OPERATIONS, AND INSTALL OTHER SEDIMENTATION AND EROSION CONTROL STRUCTURES AS SHOWN ON THE DRAWINGS.
- 3. LAND DISTURBANCE SHALL BE LIMITED TO ONLY THAT AREA NECESSARY FOR DEVELOPMENT. NO MORE THAN FIVE (5) ACRES OF UNPROTECTED SOIL SHALL BE DISTURBED AT ONE TIME. PREVIOUS EARTHWORK SHALL BE STABILIZED AS SPECIFIED BEFORE ADDITIONAL AREA IS EXPOSED. EXISTING DWELLINGS AND STRUCTURES SHALL BE REMOVED PRIOR TO ANY SITE CLEARING AND SOIL DISTURBANCE.
- 4. CLEAR EXISTING TREES AND VEGETATION FROM AREAS TO BE EXCAVATED OR FILLED, THEN STRIP AND STOCKPILE TOPSOIL FROM ALL AREAS TO BE DISTURBED. SEED STOCKPILED TOPSOIL WITH TEMPORARY RYEGRASS COVER AS SPECIFIED BELOW (SEE NOTE 8), AND ERECT A SILT FENCE AROUND THE STOCKPILE.
- 5. PROTECT ALL TREES WHICH ARE TO REMAIN AND WHICH ARE IN OR NEAR CONSTRUCTION AREAS.
- 6. PERFORM NECESSARY EXCAVATION OR FILL OPERATIONS TO BRING SITE TO DESIRED SUBGRADE.
- 7. INSTALL SEDIMENT BARRIERS AROUND ALL STORM DRAIN INLETS, OR MODIFY SEDIMENT CONTROL MEASURES INSTALLED IN #2 ABOVE AND MAINTAIN UNTIL ALL DISTURBED AREAS ARE STABILIZED WITH VEGETATION AND ALL PAVEMENTS ARE PAVED WITH A BASE COURSE.
- 8. TEMPORARILY SEED ALL DISTURBED AREAS WHICH WILL REMAIN UNDISTURBED FOR A PERIOD OF 15 DAYS OR MORE AND WHICH WILL NOT BE UNDER CONSTRUCTION WITHIN 30 DAYS IN ACCORDANCE WITH SPECIFICATION FOR VEGETATIVE ESTABLISHMENT.
- 9. IF CONSTRUCTION IS SUSPENDED OR COMPLETED. ALL DISTURBED AREAS SHALL BE SEED AND MULCHED IMMEDIATELY. ALL SLOPES STEEPER THAN ONE ON THREE (V/H) AND PERIMETER TRENCHES AND TRAP EMBANKMENTS SHALL, ON COMPLETION, BE IMMEDIATELY STABILIZED WITH TEMPORARY SEEDING AND MULCHING.
- 10. AFTER COMPLETION OF SITE CONSTRUCTION, FINE GRADE AND SPREAD TOPSOIL ON ALL LAWN AREAS AND SEED WITH PERMANENT LAWN MIX AS DISCUSSED ON THE SPECIFICATIONS FOR VEGETATIVE ESTABLISHMENT ON THIS SHEET.
- 11. DURING THE PROGRESS OF CONSTRUCTION, MAINTAIN ALL SEDIMENT TRAPS, BARRIERS, AND FILTERS AS NECESSARY TO PREVENT THEIR BEING CLOGGED UP WITH SEDIMENT.
- 12. AFTER PAVEMENTS ARE INSTALLED AND PERMANENT VEGETATIVE COVER AND PLANTINGS ARE ESTABLISHED, REMOVE SEDIMENT BARRIERS AND SEED THOSE DISTURBED AREAS.
- 13. MAINTAIN ALL SEED AND PLANTED AREAS TO INSURE A VIABLE STABILIZED VEGETATIVE COVER.
- 14. STRUCTURAL MEASURES MUST BE MAINTAINED TO BE EFFECTIVE. IN GENERAL, THESE MEASURES MUST BE PERIODICALLY INSPECTED TO INSURE STRUCTURAL INTEGRITY, TO DETECT VANDALISM DAMAGE, AND FOR CLEANING AND REPAIR WHENEVER NECESSARY.
- 15. DURING CONSTRUCTION, ALL STRUCTURES SHOULD BE INSPECTED WEEKLY AND AFTER EVERY RAIN. REMOVE ACCUMULATED SEDIMENT AND STOCKPILE AND STABILIZE IN AN AREA NOT SUBJECT TO FURTHER EROSION.
- 16. AFTER CONSTRUCTION IS COMPLETED, PERMANENT SEDIMENT OR EROSION CONTROL STRUCTURES SHOULD BE INSPECTED AT LEAST SEMI-ANNUALLY AND AFTER EVERY RAIN.

SPECIFICATIONS FOR VEGETATIVE ESTABLISHMENT:

- 1. PERMANENT SEEDING:
 - A. **SEEDBED PREPARATION:** AREA TO BE SEED SHALL BE LOOSE AND FRIABLE TO A DEPTH OF AT LEAST 3 INCHES. THE TOP LAYER SHALL BE LOOSENEED BY RAKING, DISKING OR OTHER ACCEPTABLE MEANS BEFORE SEEDING OCCURS. FOR SITES LESS THAN 5 ACRES, APPLY 100 POUNDS OF DOLOMITIC LIMESTONE AND 21 POUNDS OF 10-20-20 FERTILIZER PER 1,000 SF. HARROW OR DISK LIME AND FERTILIZER INTO THE SOIL TO A DEPTH OF AT LEAST 3 INCHES ON SLOPES FLATTER THAN 3:1.
 - B. **SEEDING:** APPLY 5-6 POUNDS PER 1,000 SF OF SEED MIX BETWEEN FEBRUARY 1 AND MAY 15 OR BETWEEN AUGUST 15 AND OCTOBER 31. APPLY SEED UNIFORMLY ON A MOIST FIRM SEEDBED WITH A CYCLONE SEEDER DRILL, CULTIPACKR SEEDER OR HYDROSEEDER (SLURRY INCLUDES SEEDS AND FERTILIZER, RECOMMENDED ON STEEP SLOPES ONLY). MAXIMUM SEED DEPTH SHOULD BE 1/4 INCH IN CLAYEY SOILS AND 1/2 INCH IN SANDY SOILS WHEN USING OTHER THAN THE HYDROSEEDER METHOD. IRRIGATE IF SOIL MOISTURE IS DEFICIENT TO SUPPORT ADEQUATE GROWTH UNTIL VEGETATION IS FIRMLY ESTABLISHED. SELECT SEED MIXTURES FROM SECTION 3, NYS GUIDELINES FOR URBAN EROSION & SEDIMENT CONTROL.
 - C. **MULCHING:** MULCH SHALL BE APPLIED TO ALL SEEDED AREAS IMMEDIATELY AFTER SEEDING. DURING THE TIME PERIODS WHEN SEEDING IS NOT PERMITTED, MULCH SHALL BE APPLIED IMMEDIATELY AFTER GRADING. MULCH SHALL BE UNROTTED, UNCHOPPED, SMALL GRAIN STRAW APPLIED AT A RATE OF 2 TONS PER ACRE OR 90 POUNDS PER 1,000 SQUARE FEET (2 BALES). IF A MULCH ANCHORING TOOL IS USED, APPLY 2.5 TONS PER ACRE. MULCH MATERIALS SHALL BE RELATIVELY FREE OF ALL KINDS OF WEEDS AND SHALL BE COMPLETELY FREE OF PROHIBITED NOXIOUS WEEDS. SPREAD MULCH UNIFORMLY, MECHANICALLY, OR BY HAND TO A DEPTH OF 1-2 INCHES.
 - D. **SECURING STRAW MULCH:** STRAW MULCH SHALL BE SECURED IMMEDIATELY FOLLOWING MULCH APPLICATIONS TO MINIMIZE MOVEMENT OF WIND OR WATER. THE FOLLOWING METHODS ARE PERMITTED:
 - i. USE A MULCH ANCHORING TOOL WHICH IS DESIGNED TO PUNCH AND ANCHOR FABRIC TYPE MULCH INTO THE SOIL SURFACE TO A MINIMUM DEPTH OF 2 INCHES. THIS IS THE MOST EFFECTIVE METHOD FOR SECURING MULCH. HOWEVER, IT IS LIMITED TO RELATIVELY FLAT AREAS WHERE EQUIPMENT CAN OPERATE SAFELY.
 - ii. WOOD CELLULOSE FIBER MAY BE USED FOR ANCHORING STRAW. APPLY THE FIBER BINDER AT A NET DRY WEIGHT OF 750 POUNDS PER ACRE. IF MIXED WITH WATER, USE 50 POUNDS OF WOOD CELLULOSE FIBER PER 100 GALLONS OF WATER.
 - iii. LIQUID BINDERS MAY BE USED AND APPLIED HEAVIER AT THE EDGES WHERE WIND CATCHES MULCH, SUCH AS IN VALLEYS AND ON CRESTS OF SLOPES. THE REMAINDER OF THE AREA SHOULD APPEAR UNIFORM AFTER BINDER APPLICATION.
 - iv. LIGHTWEIGHT NETTING, MAY BE USED TO SECURE MULCH. THE NETTING WILL BE STAPLED TO THE GROUND ACCORDING TO MANUFACTURERS' RECOMMENDATIONS.
- 2. TEMPORARY SEEDING:
 - LIME: 100 POUNDS OF DOLOMITIC LIMESTONE PER 1,000 SF
 - FERTILIZER: 15 POUNDS OF 10-10-10 PER 1,000 SF
 - SEED: PERENNIAL RYE-0.92 POUNDS PER 1,000 SF
- 3. FILL:
 - NO FILLS MAY BE PLACED ON FROZEN GROUND. ALL FILL TO BE PLACED IN APPROXIMATELY HORIZONTAL LAYERS, EACH LAYER HAVING A LOOSE THICKNESS OF NOT MORE THAN 8 INCHES. ALL FILL IN ROADWAYS AND PARKING AREAS IS TO BE CLASSIFIED TYPE 2 COMPACTED TO 90% DENSITY; COMPACTION TO BE DETERMINED BY ASTM D-1557-66T (MODIFIED PROCTOR). ANY FILL WITHIN THE BUILDING AREA IS TO BE COMPACTED TO A MINIMUM OF 95% AS DETERMINED BY METHODS PREVIOUSLY MENTIONED. FILLS FOR POND EMBANKMENTS SHALL BE COMPACTED AS PER THE PROJECT ENGINEER'S SPECIFICATIONS. ALL OTHER FILLS SHALL BE COMPACTED SUFFICIENTLY SO AS TO BE STABLE AND PREVENT EROSION AND SLIPPAGE.
- 4. PERMANENT SOD:
 - INSTALLATION OF SOD SHOULD FOLLOW THE PERMANENT SEEDING DATES. PERMANENT SOD IS TO BE STATE APPROVED SOD; LIME AND FERTILIZER PER PERMANENT SEEDING SPECIFICATIONS AND LIGHTLY IRRIGATE SOIL PRIOR TO LAYING SOD. SOD IS TO BE LAID ON THE CONTOUR WITH ALL ENDS TIGHTLY ABUTTING. JOINTS ARE TO BE STAGGERED BETWEEN ROWS. WATER AND ROLL OR TAMP SOD TO INSURE POSITIVE ROOT CONTACT WITH THE SOIL. ALL SLOPES STEEPER THAN 3:1, AS SHOWN, ARE TO BE PERMANENTLY SODDED OR PROTECTED WITH APPROVED EROSION CONTROL NETTING. ADDITIONAL WATERING FOR ESTABLISHMENT MAY BE REQUIRED. SOD IS NOT TO BE APPLIED ON FROZEN GROUND. SOD SHALL NOT BE HARVESTED OR TRANSPLANTED WHEN MOISTURE CONTENT (DRY OR WET) AND/OR EXTREME TEMPERATURE MAY ADVERSELY AFFECT ITS SURVIVAL. IN THE ABSENCE OF ADEQUATE RAINFALL, IRRIGATION SHOULD BE PERFORMED TO INSURE ESTABLISHED SOD.

SLOPE STABILIZATION, SEEDING METHOD & MULCHING

SLOPES OR 4:1 OR GREATER (HORIZONTAL : VERTICAL)

SLOPES SHALL BE HYDROSEEDED WITH THE MIXTURES AND RATES INDICATED IN THE PERMANENT SEEDING MIXTURE SCHEDULE. STRAW OR HAY MULCH SHALL BE APPLIED AT A RATE OF 2,000 LBS./ACRE. STRAW OR HAY MULCH SHALL BE ANCHORED WITH BioD-Mesh60 NETTING AS MANUFACTURED BY ROLANKA INTERNATIONAL OR APPROVED EQUIVALENT. NETTING TO BE INSTALLED PER MANUFACTURER SPECIFICATIONS.

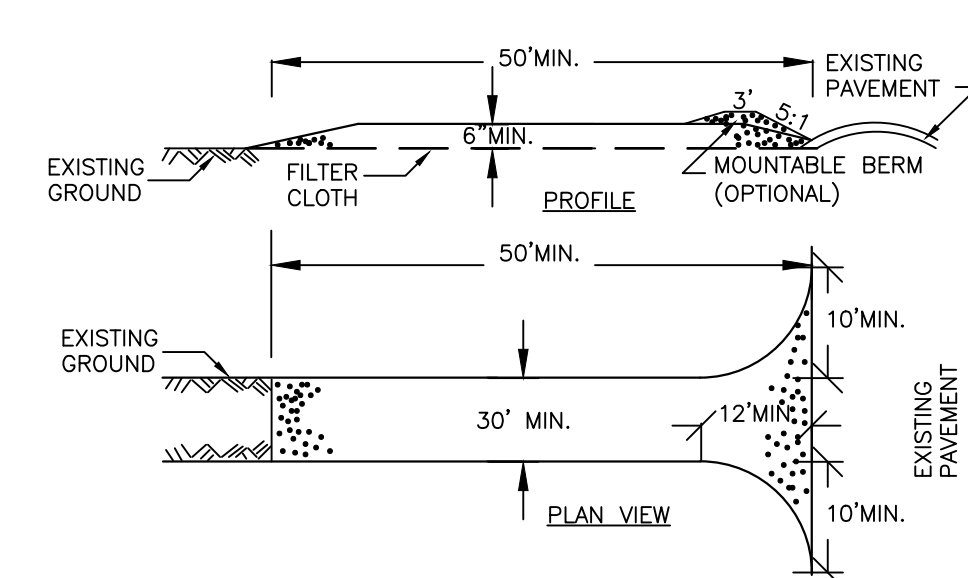
GENTLE SLOPE AND FLAT AREAS

AREA SHALL BE SEED BY HYDROSEEDING OR BROADCASTING WITH THE MIXTURES AND RATES INDICATED ON THE PERMANENT SEEDING MIXTURE SCHEDULE. HYDROSEEDED AREAS SHALL BE MULCHED WITH A WOOD FIBER MULCH APPLIED AT A RATE OF 500 LBS./ACRE. BROADCAST AREAS SHALL BE MULCHED WITH HAY OR STRAW AT A RATE OF 2,000 LBS./ACRE. AREAS SEED BY BROADCASTING SHALL BE LIGHTLY RAKED AND PACED PRIOR TO PLACING MULCH.

AREAS REMAINING DISTURBED FOR 20 DAYS OR MORE SHALL BE STABILIZED AS FOLLOWS:

SCARIFY SOILS IF COMPACTED, LIME TO pH OF 6.0 IF REQUIRED, FERTILIZE WITH 600 LBS./ACRE. 5-10-10 FERTILIZER IF REQUIRED. SEED WITH SPECIES AND RATE SHOWN BELOW. MULCH WITH HAY OR STRAW AT A RATE OF 2,000 LBS./ACRE. ANCHOR MULCH WITH NETTING OF WOOD FIBER OR JUTE IF STEEP SLOPE OR HIGH POTENTIAL FOR EROSION.

SPECIES	APPLICATION RATE
RYEGRASS (ANNUAL OR PERENNIAL) (USE WINTER RYE IF SEEDING IN OCT./NOV.)	30 LBS./ACRE (0.7 LBS./1,000 SF)

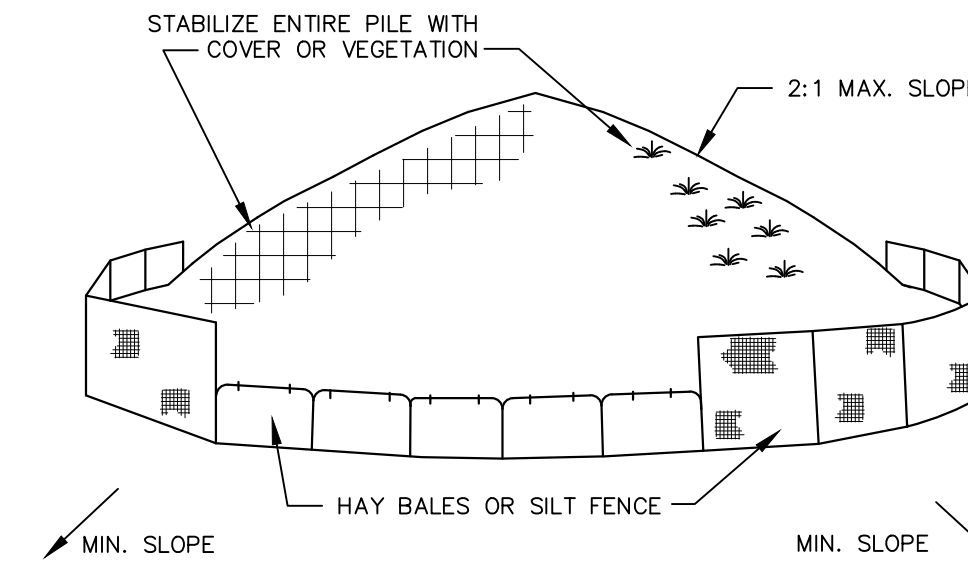


CONSTRUCTION SPECIFICATIONS

- 1. STONE SIZE – USE 2" STONE, OR RECLAIMED OR RECYCLED CONCRETE EQUIVALENT.
- 2. LENGTH – NOT LESS THAN 50 FEET (EXCEPT ON A SINGLE RESIDENCE LOT WHERE A 30 FOOT MINIMUM LENGTH WOULD APPLY).
- 3. THICKNESS – NOT LESS THAN SIX (6) INCHES.
- 4. WIDTH – TWELVE (12) FOOT MINIMUM, BUT NOT LESS THAN THE FULL WIDTH AT POINTS WHERE INGRESS OR EGRESS OCCURS. TWENTY-FOUR (24) FOOT IF SINGLE ENTRANCE TO SITE.
- 5. FILTER CLOTH – WILL BE PLACED OVER THE ENTIRE AREA PRIOR TO PLACING OF STONE.
- 6. SURFACE WATER – ALL SURFACE WATER FLOWING OR DIVERTED TOWARD CONSTRUCTION ENTRANCES SHALL BE PIPED ACROSS THE ENTRANCE. IF PIPING IS IMPRACTICAL, A MOUNTABLE BERM WITH 5:1 SLOPES WILL BE PERMITTED.
- 7. MAINTENANCE – THE ENTRANCE SHALL BE MAINTAINED IN A CONDITION WHICH WILL PREVENT TRACKING OR FLOWING OF SEDIMENT ONTO PUBLIC RIGHTS-OF-WAY. ALL SEDIMENT SPILLED, DROPPED, WASHED OR TRACTED ONTO PUBLIC RIGHTS-OF-WAY MUST BE REMOVED IMMEDIATELY.
- 8. WHEN WASHING IS REQUIRED, IT SHALL BE DONE ON A AREA STABILIZED WITH STONE AND WHICH DRAINS INTO AN APPROVED SEDIMENT TRAPPING DEVICE.
- 9. PERIODIC INSPECTION AND NEEDED MAINTENANCE SHALL BE PROVIDED AFTER EACH RAIN.

STABILIZED CONSTRUCTION ENTRANCE

NOT TO SCALE
FOR CONSTRUCTION SPECIFICATIONS REFER TO "NY GUIDELINES FOR URBAN EROSION AND SEDIMENT CONTROL"

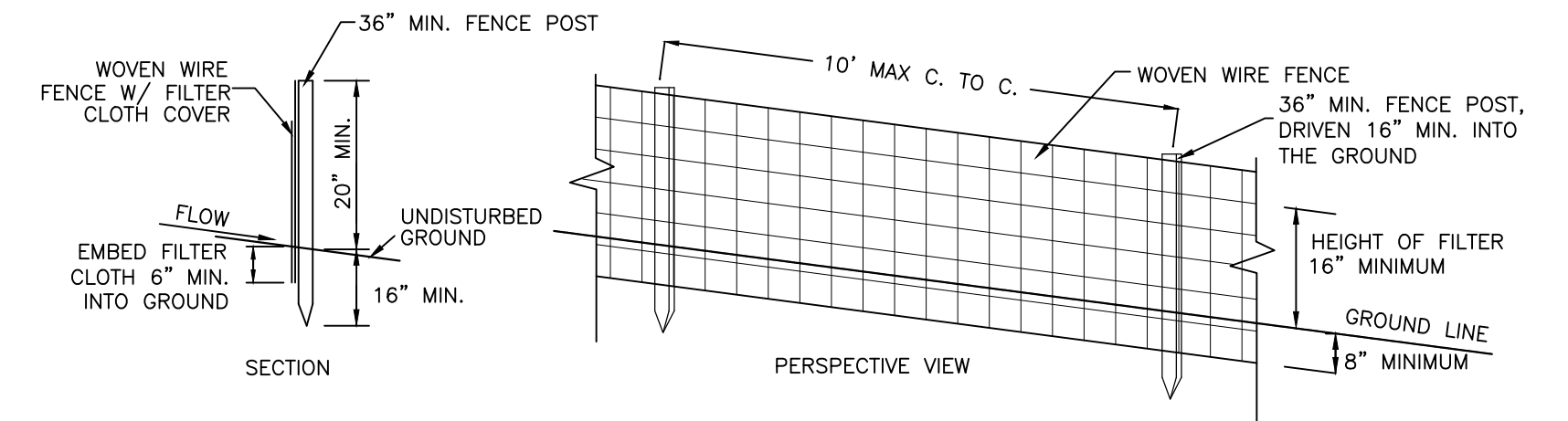


INSTALLATION NOTES:

- 1. AREA CHOSEN FOR STOCKPIILING OPERATIONS SHALL BE DRY AND STABLE
- 2. MAXIMUM SLOPE OF STOCKPILES SHALL BE 2:1.
- 3. UPON COMPLETION OF SOIL STOCKPIILING EACH PILE SHALL BE SURROUNDED WITH EITHER SILT FENCING OR HAY BALES, THEN STABILIZED WITH VEGETATION OR COVERED.
- 4. SEE SPECIFICATIONS FOR INSTALLATION OF SILT FENCE.

SOIL STOCKPILE DETAIL

NOT TO SCALE

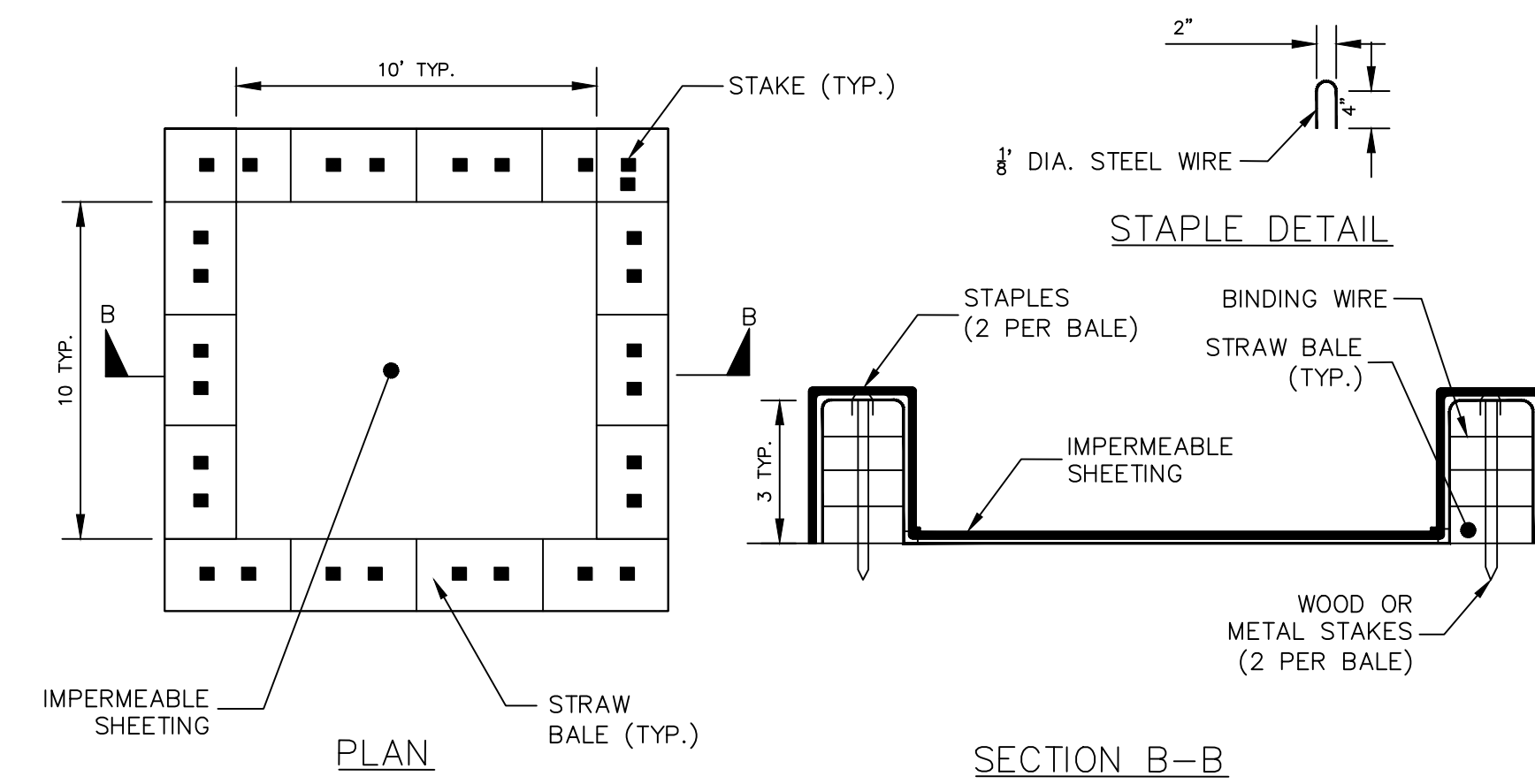


CONSTRUCTION NOTES FOR FABRICATED SILT FENCE

- 1. WOVEN WIRE FENCE TO BE FASTENED SECURELY TO FENCE POST WITH WIRE TIES OR STAPLES.
 - 2. FILTER CLOTH TO BE FASTENED SECURELY TO WOVEN WIRE FENCE WITH TIES SPACED EVERY 24" AT TOP AND MID SECTION.
 - 3. WHEN TWO SECTIONS OF FILTER CLOTH ADJOIN EACH OTHER THEY SHALL BE OVERLAPPED BY 6" AND FOLDED.
 - 4. MAINTENANCE SHALL BE PERFORMED AS NEEDED AND REMOVED WHEN 'BULGES' DEVELOP IN THE SILT FENCE.
- POST: STEEL EITHER 'T' OR 'U' TYPE OR 2" HARDWOOD
FENCE: WOVEN WIRE, 14 1/2 GA. 6" MAX. MESH OPENING
FILTER CLOTH: FILER K, MIRAFL 100X, STABILINKA T140N OR APPROVED EQUAL
PREFABRICATED UNIT: GEOFAB, ENVIROFENCE, OR APPROVED EQUAL.

SILT FENCE DETAIL

NOT TO SCALE



CONCRETE WASHOUT AREA WITH STRAW BALES

NOT TO SCALE

NOTE:

CAN BE TWO STACKED BALES OR PARTIALLY EXCAVATED TO REACH 3 FT DEPTH

CONSTRUCTION SPECIFICATIONS

- 1. LOCATE WASHOUT STRUCTURE A MINIMUM OF 50 FEET AWAY FROM OPEN CHANNELS, STORM DRAIN INLETS, SENSITIVE AREAS, WETLANDS, BUFFERS AND WATER COURSES AND AWAY FROM CONSTRUCTION TRAFFIC.
- 2. SIZE WASHOUT STRUCTURE FOR VOLUME NECESSARY TO CONTAIN WASH WATER AND SCUDS AND MAINTAIN AT LEAST 4 INCHES OF FREEBOARD. TYPICAL DIMENSIONS ARE 10 FEET X 10 FEET X 3 FEET DEEP.
- 3. PREPARE SOIL BASE FREE OF ROCKS OR OTHER DEBRIS THAT MAY CAUSE TEARS OR HOLES IN THE LINER. FOR LINER, USE 10 MIL OR THICKER UV RESISTANT, IMPERMEABLE SHEETING, FREE OF HOLES AND TEARS OR OTHER DEFECTS THAT COMPROMISE IMPERMEABILITY OF THE MATERIAL.
- 4. PROVIDE A SIGN FOR THE WASHOUT IN CLOSE PROXIMITY TO THE FACILITY.
- 5. KEEP CONCRETE WASHOUT STRUCTURE WATER TIGHT. REPLACE IMPERMEABLE LINER IF DAMAGED (EG., RIPPED OR PUNCTURED). EMPTY OR REPLACE WASHOUT STRUCTURE THAT IS 75 PERCENT FULL, AND DISPOSE OF ACCUMULATED MATERIAL PROPERLY. DO NOT REUSE PLASTIC LINER. WET-VACUUM STORED LIQUIDS THAT HAVE NOT EVAPORATED AND DISPOSE OF IN AN APPROVED MANNER. PRIOR TO FORECASTED RAINSTORMS, REMOVE LIQUIDS OR COVER STRUCTURE TO PREVENT OVERFLOWS. REMOVE HARDENED SOLIDS, WHOLE OR BROKEN UP. FOR DISPOSAL OR RECYCLING, MAINTAIN RUNOFF DIVERSION AROUND EXCAVATED WASHOUT STRUCTURE UNTIL STRUCTURE IS REMOVED.

REV.	BY	DATE	DESCRIPTION

THIS SHEET IS NOT VALID WITHOUT ALL OF THE SHEETS THAT COMPRISE THE SET

ARDEN CONSULTING ENGINEERS, PLLC
P.O. BOX 340 MONROE, N.Y.
TEL: (845) 782-8114
WWW.ARDENCONSULTING.NET

THREE LOT SUBDIVISION PREPARED FOR
3-5 SAN MARCOS DRIVE
VILLAGE OF SOUTH BLOOMING GROVE,
ORANGE COUNTY, NEW YORK

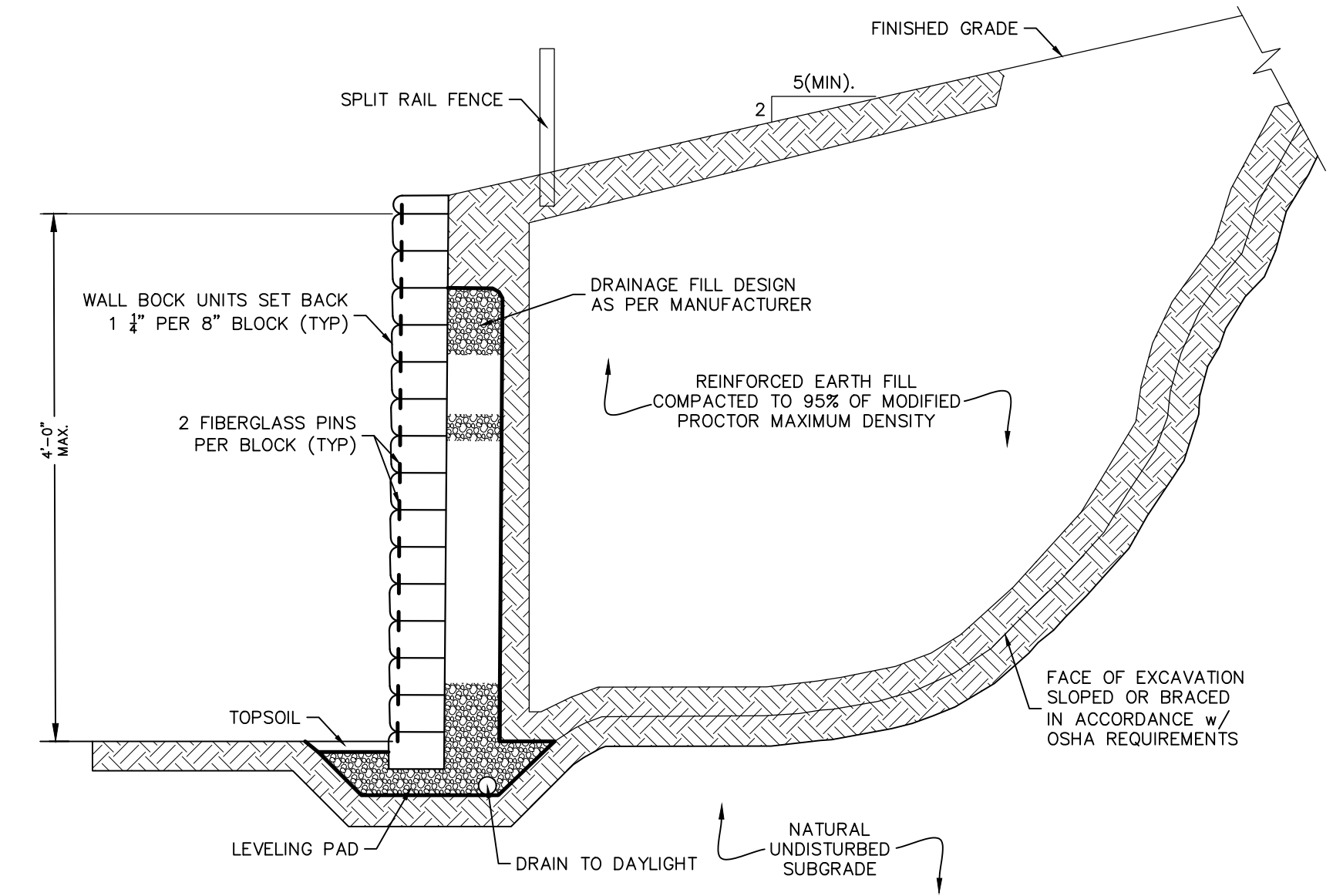
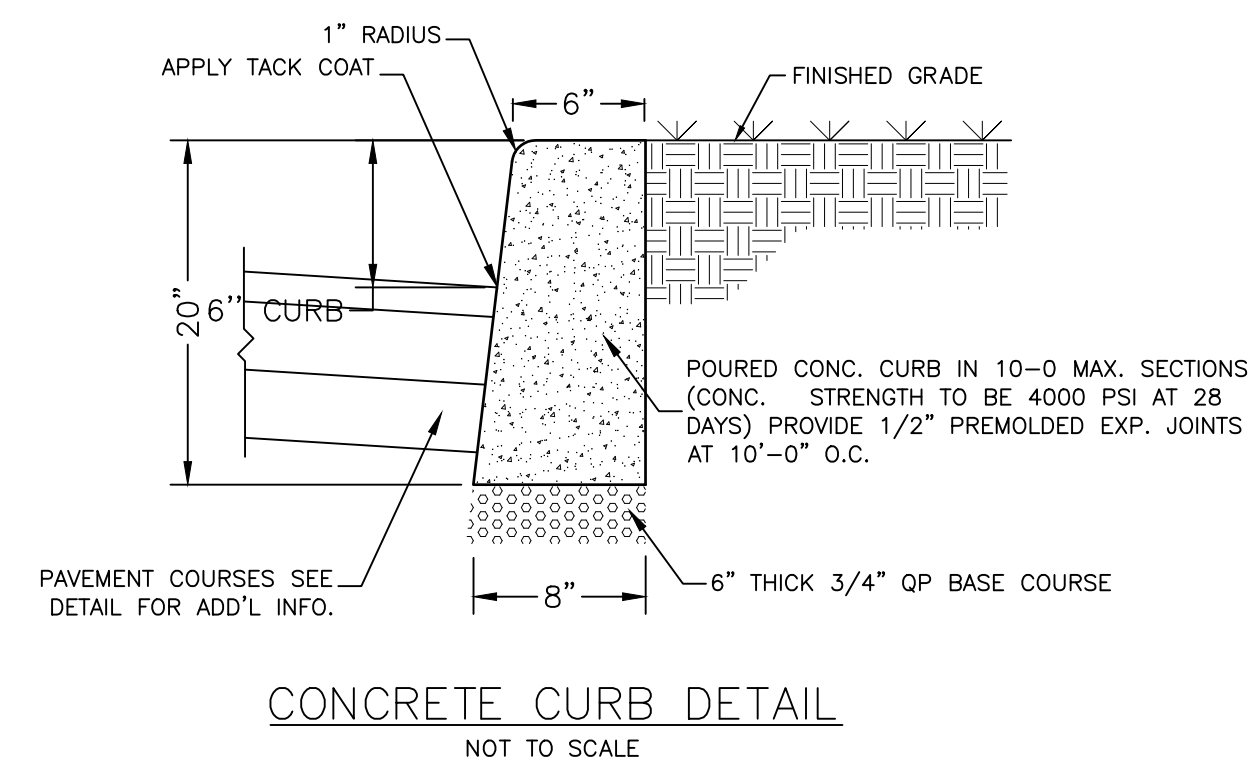
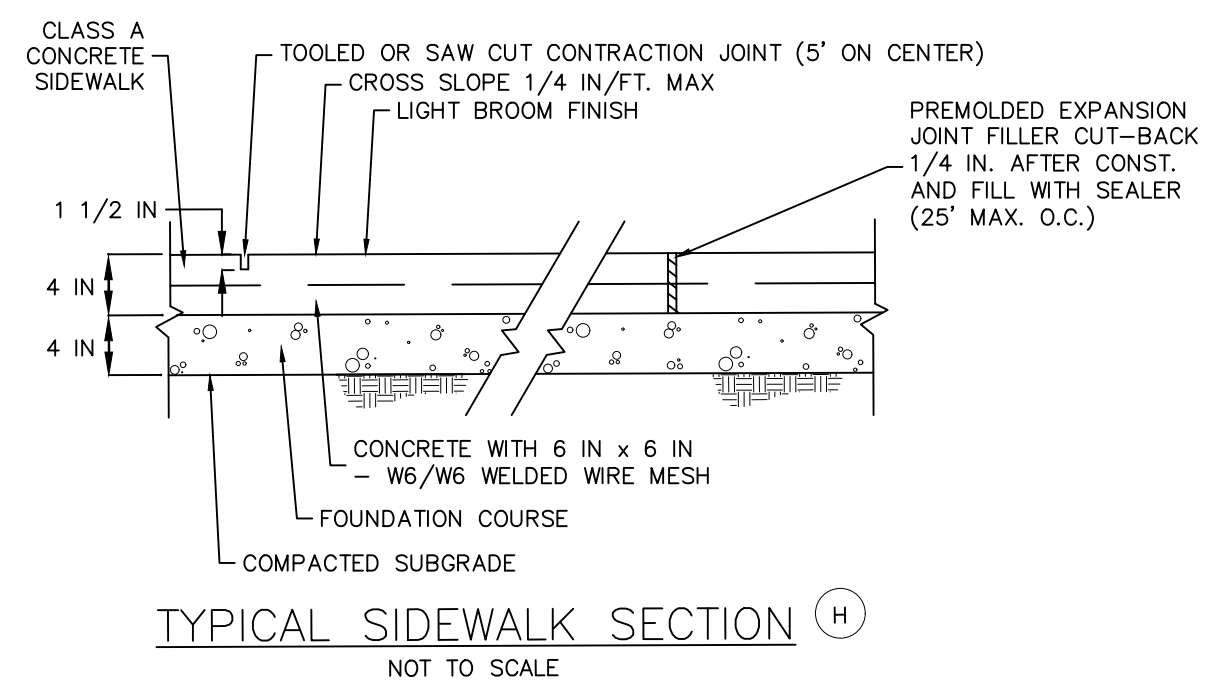
EROSION AND SEDIMENT CONTROL DETAILS

	JOB#: 23-019 SCALE: AS NOTED DATE: 06-09-23 DRAWN: MM CHECKED: MM SHEET NO.: 07 of 11
--	--

WARNING- IT IS A VIOLATION OF NEW YORK EDUCATIONAL LAW, SECTION 7209.2, FOR ANY PERSON, UNLESS ACTING UNDER THE DIRECTION OF A LICENSED PROFESSIONAL ENGINEER OR LAND SURVEYOR, TO ALTER THIS DOCUMENT IN ANY WAY. IF ALTERED, THE ALTERING PERSON SHALL COMPLY WITH THE REQUIREMENTS OF NEW YORK EDUCATIONAL LAW, SECTION 7209.2.

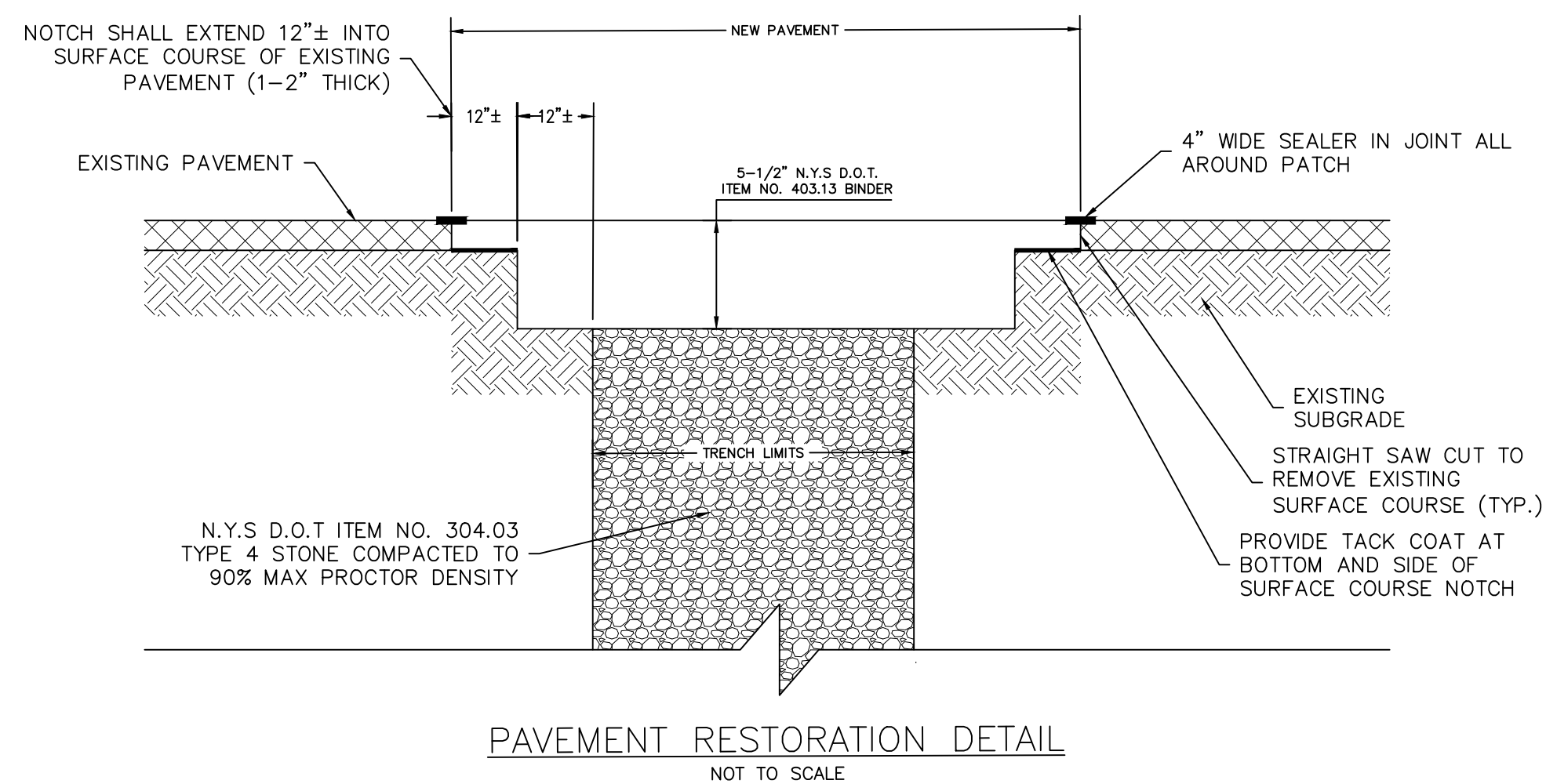
ONLY MAPS WITH EMBOSSED SEALS ARE GENUINE COPIES OF THE ORIGINAL WORK AND OPINION. MAPS NOT BEARING EMBOSSED SEALS SHOULD NOT BE RELIED UPON SINCE OTHER THAN EMBOSSED-SEAL COPIES MAY CONTAIN UNAUTHORIZED AND UNDETECTABLE MODIFICATIONS, DELETIONS, ADDITIONS AND CHANGES.



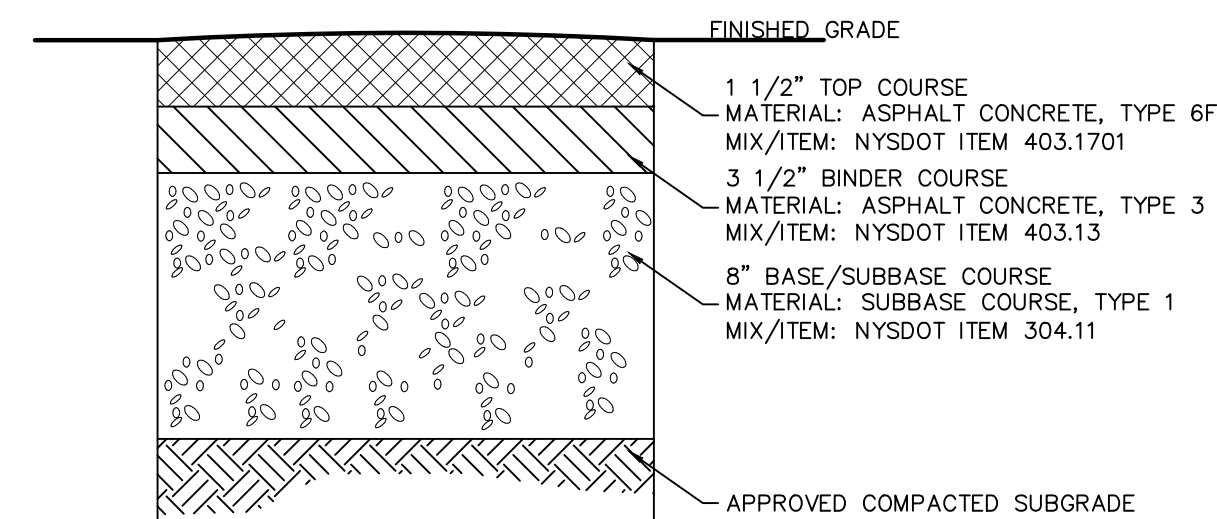


- NOTES:
1. PROPOSED KEYSTONE KS HALF CENTURY RETAINING WALL SHALL BE DESIGNED AS PER THE MANUFACTURER.
 2. FENCING SHALL BE INSTALLED AS SHOWN ON THE PLANS, IN ACCORDANCE WITH MANUFACTURER'S RECOMMENDATIONS.
 3. COLORS TO MATCH FOUNDATION STONE.
 4. DESIGN FOR THE RETAINING WALL SHOWN HEREON SHALL BE PREPARED BY A NYS LICENSED PROFESSIONAL ENGINEER AND SUBMITTED TO THE TOWN BUILDING INSPECTOR FOR RECORD PRIOR TO CONSTRUCTION. SUCH DESIGN DRAWINGS (OR SHOP DRAWINGS) 9041 BEAR THE STAMP AND SIGNATURE OF SUCH ENGINEER, AND SHALL BE SPECIFIC FOR THE SITE AND SPECIFIC TO THE RETAINING WALL SYSTEM TO BE UTILIZED AND SHALL CONSIDER ALL APPROPRIATE AND NECESSARY POSSIBLE LOADINGS AND CONDITIONS RELATED TO THIS PROJECT.
 5. THE AFOREMENTIONED DESIGN AND DETAILS SHALL CONSIDER / IDENTIFY / INCLUDE, BUT SHALL NOT BE LIMITED TO: SIGNED AND SEALED DESIGN CALCULATIONS; COMPLETE MID SPECIFIC CONSTRUCTION PLANS AND DETAILS FOR EACH WALL; APPROPRIATE SING FOR DRAINAGE SYSTEM TO HANDLE INTENSE STORM CONDITIONS; MAINTENANCE ABILITY TO CLEAN STORMWATER PIPING SYSTEMS APPROPRIATE BACKFILL MATERIAL SUFFICIENT POROSITY TO ALLOW FREE DRAINAGE OF WATER; EVALUATE POTENTIAL FAILURE BY INTERNAL/EXTERNAL FAILURE MECHANISMS, GLOBAL FAILURE OR OTHER POTENTIAL FAILURES; AND SEISMIC DESIGN CONSIDERATIONS.
 6. IF THE WALL OR WALLS ARE TIERED WALLS, THE DESIGN SHALL INCLUDE AN ANALYSIS OF THE MINIMUM SPACING OF WALLS TO ALLOW THE INDIVIDUAL WALLS TO ACT AS INDIVIDUAL WALLS BASED ON THE SPECIFIC SITE AND CONSTRUCTION CONDITIONS IF THE WALLS ARE TO BE PLACED CLOSER THAN THE SAME. THE SPECIFIC DESIGN SHALL CONSIDER THE LOADS SUPERIMPOSED BY ONE WALL TO THE OTHER.
 7. DURING CONSTRUCTION THE WORK MUST BE INSPECTED BY A NYS LICENSED PROFESSIONAL ENGINEER WHO SHALL PROVIDE WRITTEN VERIFICATION TO THE TOWN BUILDING INSPECTOR. PRIOR TO THE REQUEST FOR A CERTIFICATE OF OCCUPANCY, THAT HE/SHE HAS PERSONALLY INSPECTED THE WORK, AND THE INSTALLATION IS IN COMPLIANCE WITH THE DESIGN DRAWINGS AND MANUFACTURER'S INSTALLATION RECOMMENDATIONS.
 8. IF DEEMED NECESSARY BY THE DESIGN ENGINEER AND/OR THE TOWN, THIRD PARTY TESTING WILL BE PERFORMED REGARDING MATERIAL COMPACTION, FILL QUALITY, ETC. A COPY OF ALL SUCH TESTING RECORDS SHALL BE PROVIDED TO THE TOWN BUILDING DEPARTMENT FOR RECORD.

TYPICAL MSE RETAINING WALL
NOT TO SCALE

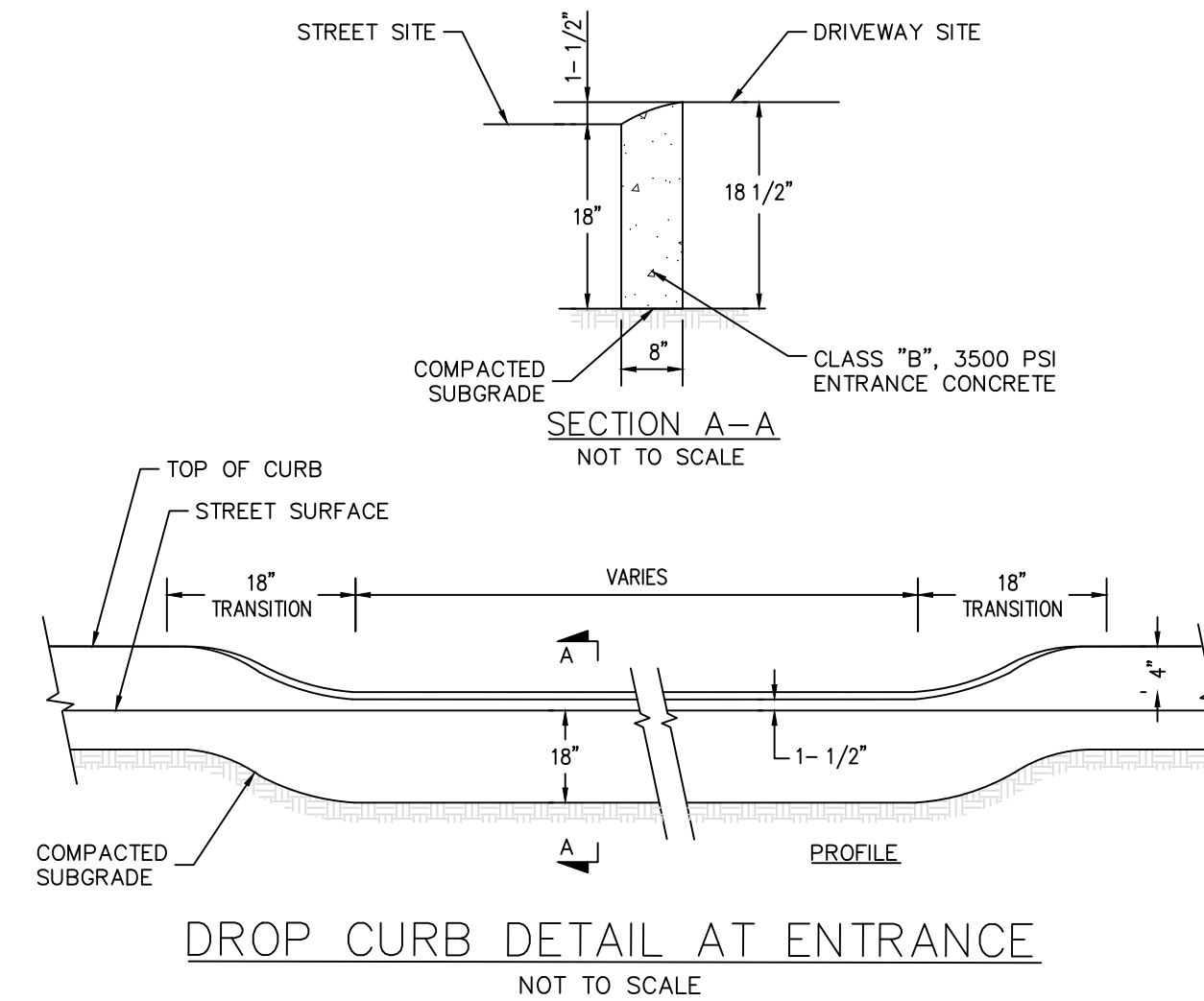


PAVEMENT RESTORATION DETAIL
NOT TO SCALE

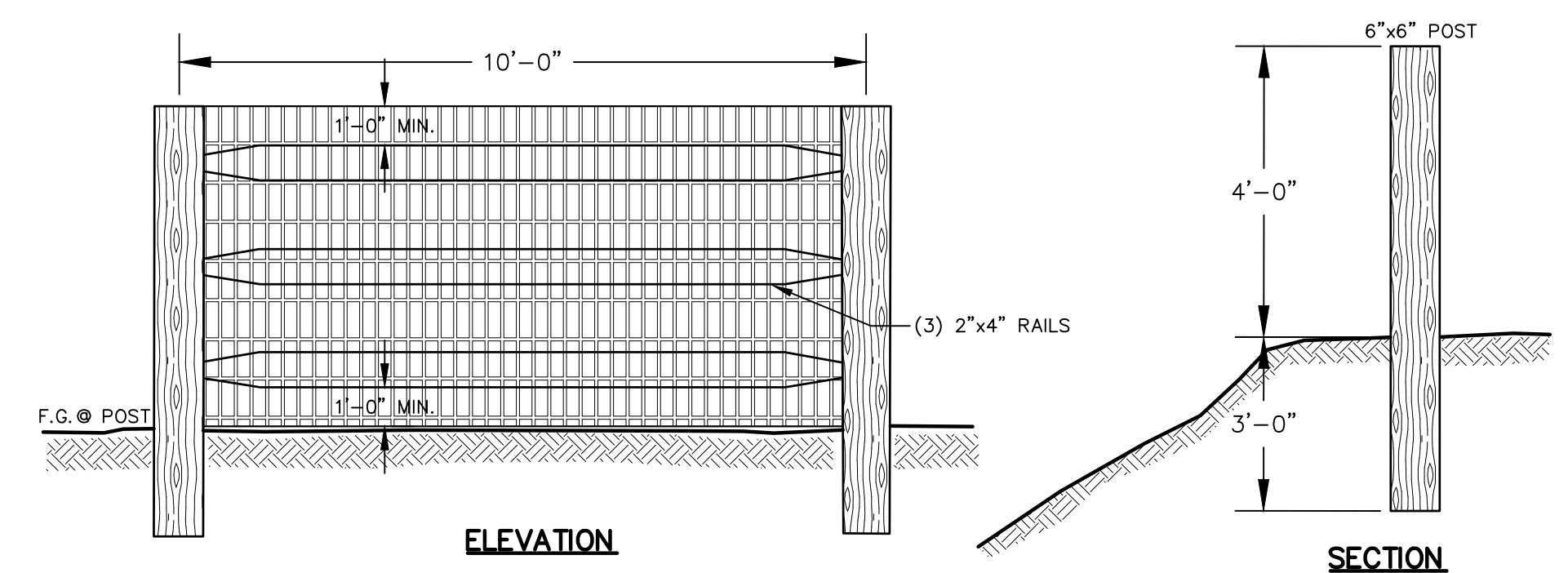


- NOTES:
1. MATERIALS AND METHODS OF CONSTRUCTION SHALL BE IN CONFORMANCE WITH THE NEW YORK STATE DEPARTMENT OF TRANSPORTATION (NYSDOT) STANDARD SPECIFICATIONS FOR CONSTRUCTION AND MATERIALS, LATEST EDITION, AND ALL ADDENDA THERETO.
 2. SUBBASE MATERIAL SHALL CONFORM WITH SECTION 304 - SUBBASE COURSE OF THE ABOVE REFERENCED NYSDOT STANDARD SPECIFICATIONS AND THE TYPE CALLED OUT IN THESE DRAWINGS.
 3. HOT MIX ASPHALT (HMA) PAVEMENT SHALL CONFORM WITH SECTION 400 HOT MIX ASPHALT OF THE ABOVE REFERENCED NYSDOT STANDARD SPECIFICATIONS AND THE TYPE CALLED OUT IN THESE DRAWINGS. ALTHOUGH SECTION 400 IN ITS ENTIRETY IS REFERENCED, THE HOT MIX ASPHALT (HMA) PAVEMENT(S) SPECIFIED FOR TL-LIS CONTRACT SHALL BE AS SPECIFIED UNDER SECTION 402-HOT MIX ASPHALT (HMA) PAVEMENTS.
 4. TACK COAT SPECIFIED OR CALLED OUT IN THESE DRAWINGS OR REQUIRED BY THE REFERENCED SPECIFICATIONS SHALL CONFORM WITH SECTION 407-TACK COAT OF THE ABOVE REFERENCED NYSDOT STANDARD SPECIFICATIONS.
 5. WHERE IT IS NECESSARY TO PLACE FILL FOR PURPOSES OF BRINGING THE SUBGRADE ELEVATION UP TO A SPECIFIED GRADE, THE FILL MATERIAL PLACED SHALL BE IN CONFORMANCE WITH SECTION 203-EXCAVATION AND EMBANKMENT OF THE ABOVE REFERENCED NYSDOT STANDARD SPECIFICATIONS.
 6. THICKNESS INDICATED REFER TO COMPACTED MEASURE.

TYPICAL ASPHALT DETAIL FOR DRIVEWAY & PARKING AREAS
NOT TO SCALE



DROP CURB DETAIL AT ENTRANCE
NOT TO SCALE



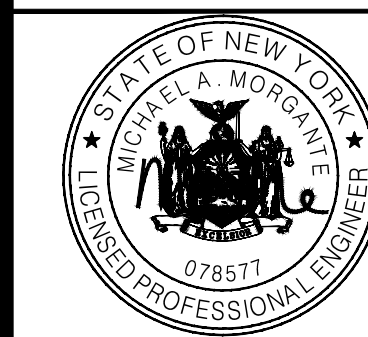
- NOTES:
1. THREE POST SPLIT RAIL RUSTIC FENCE TO BE CEDAR.
 2. 2"x4" x 14 GAUGE PVC BLACK VINYL COATED WELDED WIRE FENCE TO BE ATTACHED TO INTERIOR OF SPLIT RAIL FENCING.
 3. ALL FENCING TO BE INSTALLED WITH WELDED WIRE FENCE AROUND STORMWATER MANAGEMENT FACILITIES, ALONG RETAINING WALLS AND AROUND AREAS AS INDICATED ON PLAN.

SPLIT POST FENCE DETAIL
NOT TO SCALE

REV.	BY	DATE	DESCRIPTION

THIS SHEET IS NOT VALID WITHOUT ALL OF THE SHEETS THAT COMPRISE THE SET

ARDEN CONSULTING ENGINEERS, PLLC
P.O. BOX 340 MONROE, N.Y.
TEL: (845) 782-8114
WWW.ARDENCONSULTING.NET



THREE LOT SUBDIVISION PREPARED FOR
3-5 SAN MARCOS DRIVE
VILLAGE OF SOUTH BLOOMING GROVE,
ORANGE COUNTY, NEW YORK

CONSTRUCTION DETAILS

JOB#: 23-019
SCALE: AS NOTED
DATE: 06-09-23
DRAWN: MM
CHECKED: MM
SHEET NO. 08 OF 11

MICHAEL A. MORGANTE, P.E.
LIC. NO. 78577

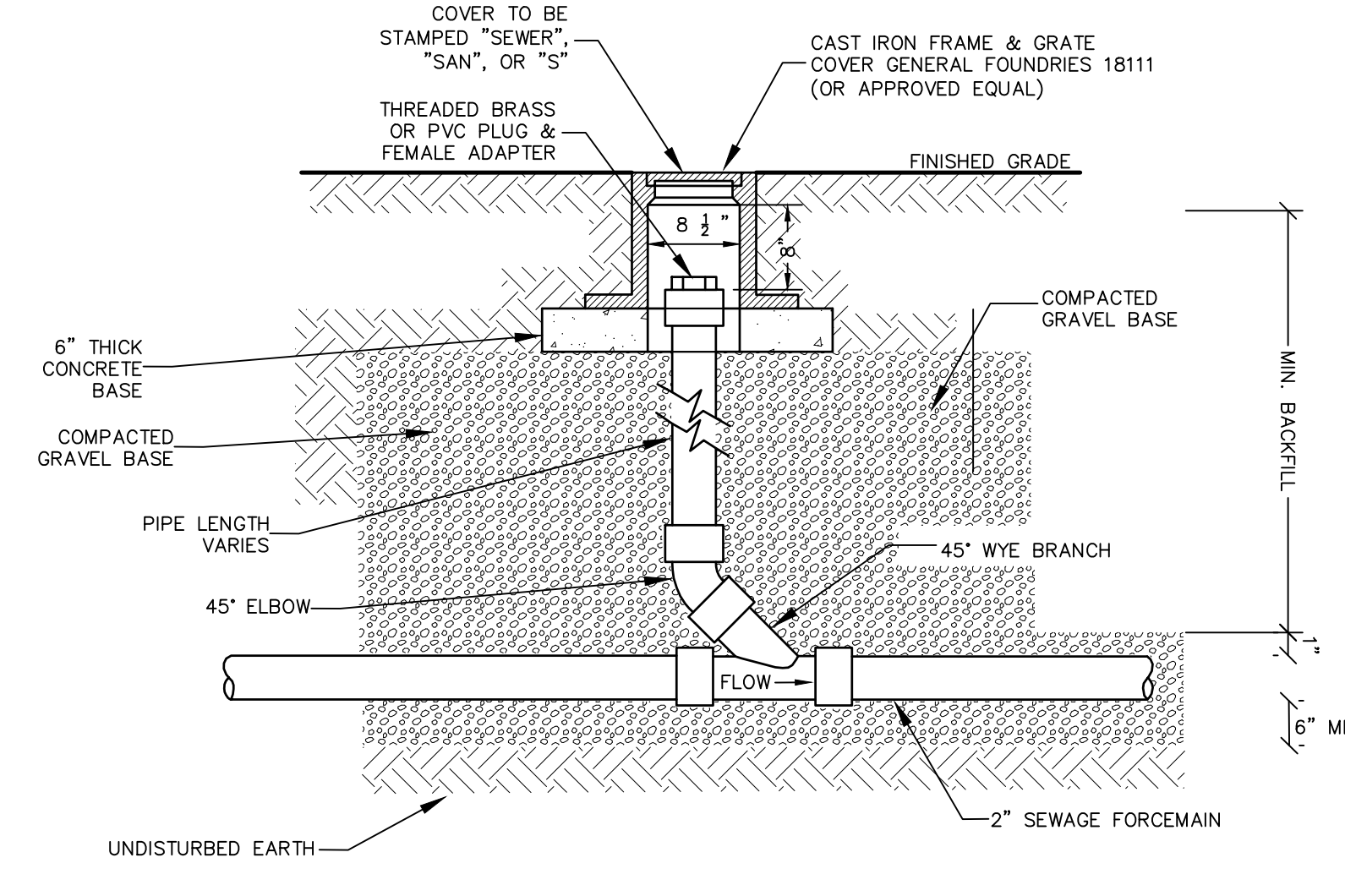
WARNING- IT IS A VIOLATION OF NEW YORK EDUCATIONAL LAW, SECTION 7209.2, FOR ANY PERSON, UNLESS ACTING UNDER THE DIRECTION OF A LICENSED PROFESSIONAL ENGINEER OR LAND SURVEYOR, TO ALTER THIS DOCUMENT IN ANY WAY. IF ALTERED, THE ALTERING PERSON SHALL COMPLY WITH THE REQUIREMENTS OF NEW YORK EDUCATIONAL LAW, SECTION 7209.2

Dig Safely. New York
Call 811
before you dig

ONLY MAPS WITH EMBOSSED SEALS ARE GENUINE COPIES OF THE ORIGINAL WORK AND OPINION. MAPS NOT BEARING EMBOSSED SEALS SHOULD NOT BE RELIED UPON SINCE OTHER THAN EMBOSSED-SEAL COPIES MAY CONTAIN UNAUTHORIZED AND UNDETECTABLE MODIFICATIONS, DELETIONS, ADDITIONS AND CHANGES.

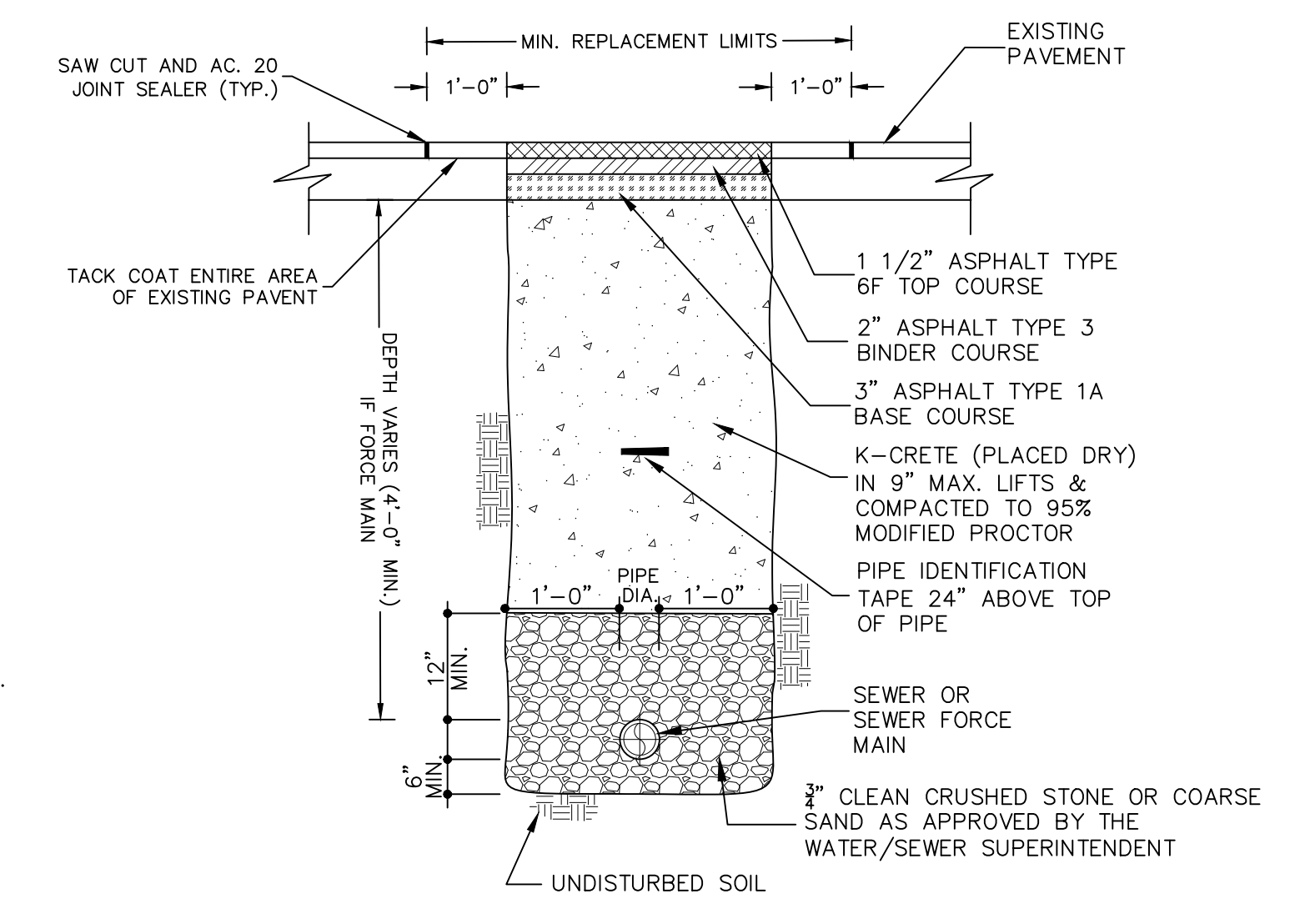
SEWER NOTES:

- UNDERGROUND UTILITIES SHOWN HEREON ARE APPROXIMATE, THEIR ACCURACY OR COMPLETENESS ARE NOT GUARANTEED BY THE ENGINEER. MARK OUTS FROM UTILITY COMPANIES AND FIELD CONFIRMATION BY CONTRACTOR MUST BE MADE PRIOR TO CONSTRUCTION SO THAT DISTURBANCE OR DISRUPTION TO THESE UTILITIES MAY BE AVOIDED. ALL EXISTING UTILITIES ARE TO BE COORDINATED WITH THE APPROPRIATE UTILITY FOR CONNECTION/DISCONNECTION WHERE NECESSARY.
- THE CONTRACTOR SHALL DETERMINE THE LOCATION AND DEPTH OF THE EXISTING UTILITY TO WHICH THE CONNECTION IS BEING MADE BEFORE LAYING PIPE, CONDUIT, ETC. DISCREPANCIES SHALL BE REPORTED TO THE ENGINEER. CASES WHERE THE CONSTRUCTION OF ITEMS MEET EXISTING STRUCTURES, SUCH AS CURB, PAVEMENT, SIDEWALK, UTILITIES, ETC. THE CONTRACTOR OR SURVEYOR STAKING SUCH ITEMS SHALL VERIFY THE ELEVATION LOCATION OF THE EXISTING FEATURE PRIOR TO CONSTRUCTION. DISCREPANCIES SHALL BE BROUGHT TO THE ATTENTION OF THE ENGINEER.
- THE CONTRACTOR SHALL EXERCISE EXTREME CARE IN CONDUCTING EXCAVATIONS TO ESTABLISH LOCATIONS AND DEPTHS OF EXISTING UNDERGROUND UTILITIES, FACILITIES AND STRUCTURES. THE CONTRACTOR SHALL HAND EXCAVATE WHERE APPROPRIATE.
- SANITARY SEWER SHALL BE SEPARATED FROM THE WATER MAINS BY A DISTANCE OF AT LEAST 10 FEET HORIZONTALLY OR 18 INCHES VERTICALLY IF HORIZONTAL SEPARATION IS NOT POSSIBLE.
- ALL SANITARY SEWER PIPE LENGTHS SHALL BE FROM CENTER OF STRUCTURE TO CENTER OF STRUCTURE.
- ALL EQUIPMENT, MATERIALS, ETC. SHALL BE CONFINED TO THE PUBLIC RIGHTS OF WAY OR VILLAGE EASEMENTS. NO ENCROACHMENT ONTO ADJACENT PROPERTIES IS PERMITTED.
- THE CONTRACTOR IS SOLELY RESPONSIBLE FOR CONSTRUCTION SITE SAFETY. ALL SAFETY PRECAUTIONS MUST BE UNDERTAKEN AND MAINTAINED AS REQUIRED BY LOCAL, STATE AND FEDERAL CODES.
- THE SITE CONTRACTOR SHALL BE RESPONSIBLE FOR MAINTAINING COMPLIANCE WITH THE NYSDEC AND VILLAGE REGULATIONS REGARDING STORM WATER POLLUTION PREVENTION.
- THE CONTRACTOR SHALL BE RESPONSIBLE FOR MAINTENANCE AND PROTECTION OF TRAFFIC (MPT WHEN WORKING ON OR NEAR PUBLIC ROADS: MPT MEASURES MUST BE COORDINATED WITH THE APPROPRIATE HIGHWAY OFFICIALS (TOWN, VILLAGE, AND NYSDOT) HAVING JURISDICTION OVER EACH PARTICULAR ROADWAY.
- IN THE EVENT THAT THE CONTRACTOR OR ITS SUBCONTRACTORS DAMAGE ANY EXISTING UTILITY, FACILITY OR STRUCTURE, THE CONTRACTOR SHALL IMMEDIATELY NOTIFY THE OWNER OF THE DAMAGED PROPERTY AND VILLAGE.
- ALL STRUCTURES AND SURFACES DISTURBED DURING CONSTRUCTION SHALL BE RESTORED TO ITS PRE-CONSTRUCTION OR BETTER CONDITION.
- THE CONTRACTOR SHALL REVIEW THE SITE CONDITIONS WITH RESPECT TO DRAINAGE AND GENERAL SOIL CONDITIONS IN THE AREA AND PLAN ITS WORK IN SUCH A MANNER TO WORK EFFICIENTLY AND SAFELY. THE CONTRACTOR IS SOLELY RESPONSIBLE FOR THE CONTROL OF SURFACE AND GROUNDWATER IN THE CONSTRUCTION AREA.
- THE CONTRACTOR SHALL MAKE ALL NECESSARY ARRANGEMENTS FOR STAGING AREAS FOR MATERIALS AND EQUIPMENT.
- THE CONTRACTOR SHALL ARRANGE FOR A SUITABLE AREA FOR THE STORAGE AND DISPOSAL OF EXCESS EXCAVATED SOIL MATERIALS. THE CONTRACTOR IS RESPONSIBLE FOR ANY PERMITS AND FEES ASSOCIATED WITH THE PROPER DISPOSAL OF SOIL AND OTHER MATERIALS FROM THE PROJECT.
- THE MORE STRICT OF ANY REQUIREMENT, CODE, RULE, REGULATION AND LAW ESTABLISHED BY THE VILLAGE OR OTHER GOVERNMENTAL AGENCY, INCLUDING BUT NOT LIMITED TO THE NEW YORK STATE DEPARTMENT OF HEALTH, NEW YORK STATE DEPARTMENT OF ENVIRONMENTAL CONSERVATION, UNITED STATES ARMY CORP OF ENGINEERS, UNITED STATES ENVIRONMENTAL PROTECTION AGENCY, UNITED STATES OCCUPATIONAL SAFETY AND HEALTH ADMINISTRATION AND NEW YORK STATE DEPARTMENT OF LABOR FOR SANITARY SEWER SIZE, SLOPE, ALIGNMENT, MATERIALS OF CONSTRUCTION AND APPURTENANCES AND METHODS FOR EXCAVATING, PIPE PLACEMENT, JOINTING, TESTING AND TRENCH BACKFILLING SHALL BE COMPLIED WITH DURING ALL PHASES OF CONSTRUCTION.
- ALL SANITARY SEWER CONSTRUCTION SHALL BE IN ACCORDANCE WITH THE PLANS AND SPECIFICATIONS THAT ARE APPROVED BY THE VILLAGE. ANY DEVIATION FROM THE APPROVED PLANS AND/OR SPECIFICATIONS SHALL REQUIRE REVIEW AND APPROVAL BY THE VILLAGE. THE CONTRACTOR SHALL BE RESPONSIBLE TO NOTIFY THE PROJECT ENGINEER AND THE VILLAGE OF ANY PLANNED DEVIATION(S) FROM THE APPROVED PLANS AND/OR SPECIFICATIONS.
- FITTINGS SHALL BE STANDARD LENGTH.
- PIPE JOINTS SHALL BE STANDARD LENGTH.
- CONNECTION TO EXISTING SANITARY MANHOLE SHALL BE CORE BORED FOR A KOR-N-SEAL.



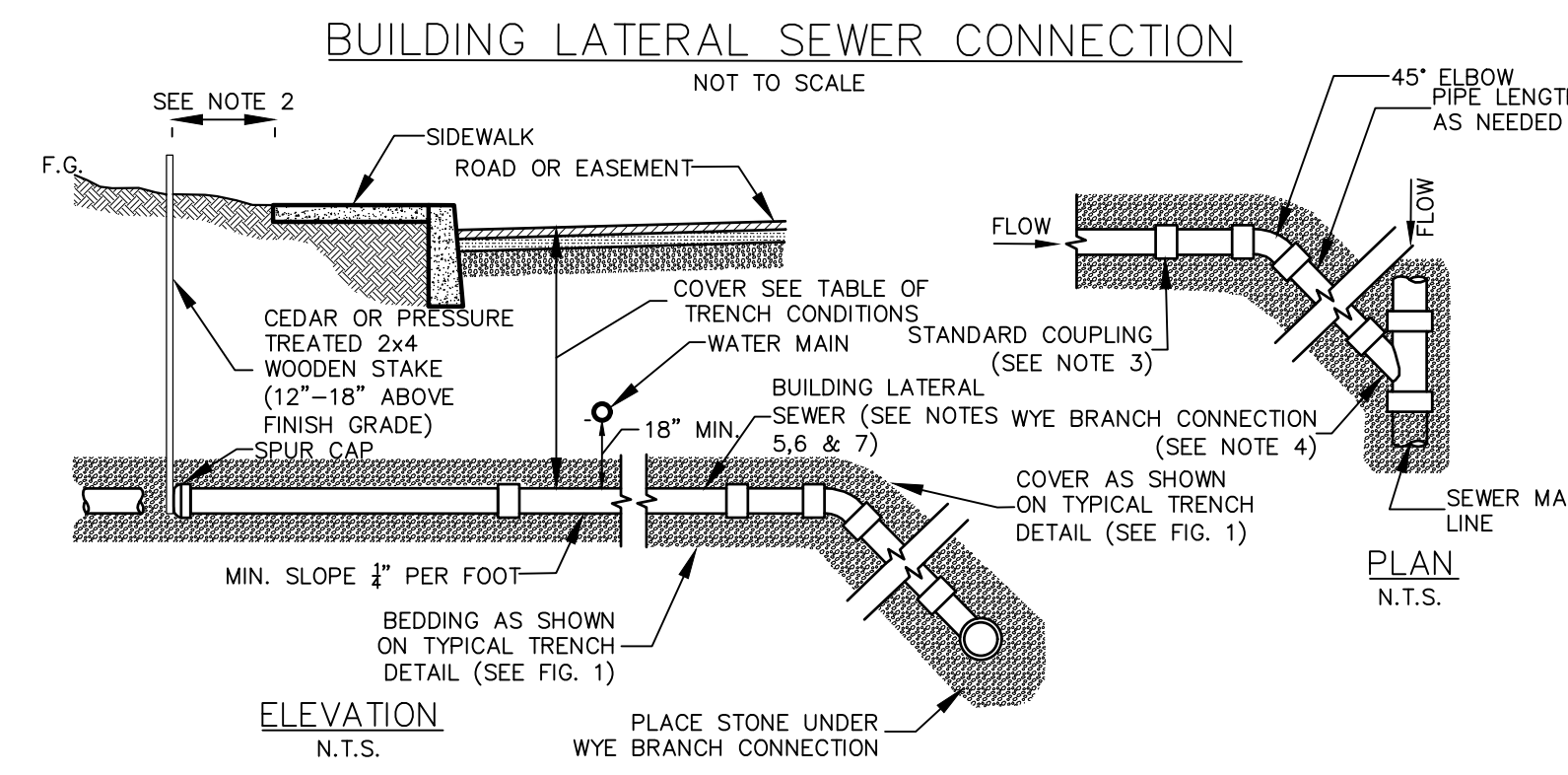
- NOTES:
- CLEANOUT LOCATED IN A ROAD, DRIVEWAY OR PARKING AREA SHALL REQUIRE A CAMBELL FOUNDRY #4164 CAST IRON FRAME AND COVER. (OR APPROVED EQUAL).

BUILDING LATERAL SEWER CLEANOUT (C.O.)
NOT TO SCALE



TYPICAL SEWER MAIN INSTALLATION/RESTORATION DETAIL IN VILLAGE STREET
NOT TO SCALE

- NOTE:
- PAVEMENT AND SUBBASE MATERIAL SHALL AT A MINIMUM, MATCH THE EXISTING TYPES AND THICKNESSES FOUND WITHIN ANY TOWN, COUNTY OR STATE HIGHWAY, WHICHEVER IS GREATER.



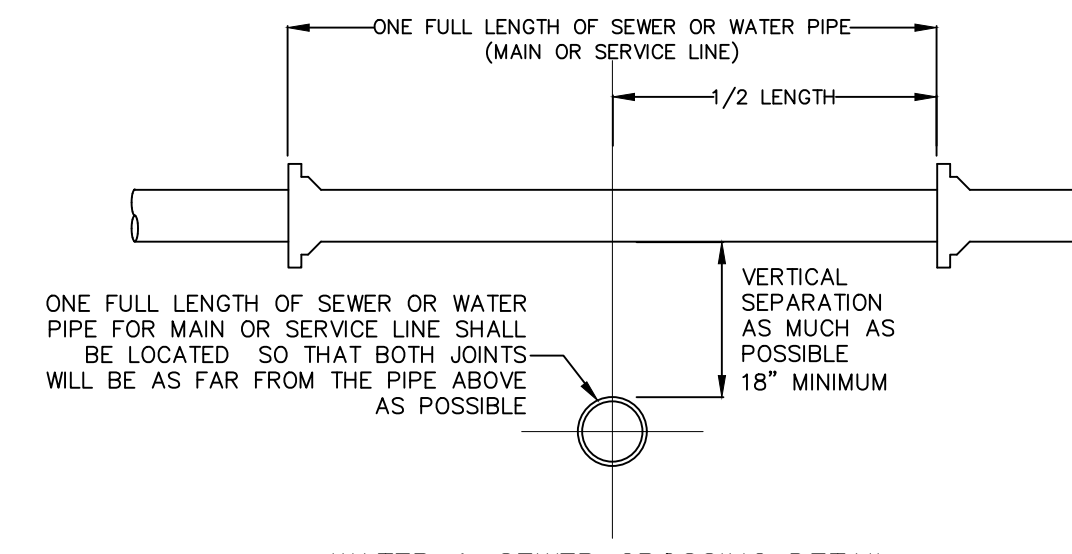
SANITARY SEWER SPECIFICATIONS (FOR BUILDING LATERAL SEWERS AND SEWER MAIN LINE):

- REQUIRED MAIN LINE SEWER (OR APPROVED EQUAL):
 - ABS-TRUSS PIPE:
 - PIPE: STAMPED ASTM D2680
 - FITTINGS: STAMPED ASTM D2680
 - JOINTS: SOLVENT WELD, ASTM D2235
 - PVC-TRUSS PIPE:
 - PIPE: STAMPED ASTM D2680
 - FITTINGS: STAMPED ASTM D2680
 - JOINTS: SOLVENT WELD, ASTM D2564 OR ELASTOMERIC (GASKET)
 - PVC - SDR 26 HEAVY WALL PIPE:
 - PIPE (8" - 15" DIAMETER): STAMPED ASTM D3034. PIPE (18" AND GREATER DIAMETER): STAMPED ASTM F679.
 - FITTINGS: STAMPED ASTM D3034 OR F679.
 - JOINTS: SOLVENT WELD ASTM D2564 OR ELASTOMERIC GASKET.
 - PVC - SDR 35 SOLID WALL PIPE:
 - PIPE (8"-15" DIAMETER): STAMPED ASTM D3034. PIPE (18" AND GREATER DIAMETER): STAMPED ASTM F679.
 - FITTINGS: STAMPED ASTM D3034 OR ASTM F679.
 - JOINTS: BELL AND SPIGOT WITH ELASTOMERIC GASKET ASTM D3034 OR SOLVENT WELD ASTM D2564.
- REQUIRED 4" OR 6" (AS APPROVED) BUILDING LATERAL SEWER (OR APPROVED EQUAL):
 - PVC - SDR 35 SOLID WALL PIPE:
 - PIPE: STAMPED ASTM D3034 AND SDR 35.
 - FITTINGS: STAMPED SDR 35 AND ASTM D3034.
 - JOINTS: BELL AND SPIGOT WITH ELASTOMERIC GASKET ASTM D3034 OR SOLVENT WELD ASTM D2564.
 - SDR 26 HEAVY WALL PIPE:
 - PIPE: STAMPED ASTM D3034 AND SDR 26.
 - FITTINGS: STAMPED SDR 26 AND ASTM D3034.
 - JOINTS: BELL AND SPIGOT WITH ELASTOMERIC GASKET ASTM D3034 OR SOLVENT WELD ASTM D2564.
 - SDR 23.5 ABS SOLID WALL PIPE:
 - PIPE: STAMPED ASTM D2751 AND SDR 23.5
 - FITTINGS: STAMPED SDR 23.5 ASTM D2751
 - JOINTS: SOLVENT WELD, ASTM D2235
- OTHER REQUIRED PIPE MATERIALS FOR BUILDING LATERAL SEWERS AND SEWER MAIN LINE (OR APPROVED EQUAL):
 - CAST IRON, EXTRA HEAVY, COATED, HUB & PLAIN END, ASTM C-74 WITH ELASTOMERIC COMPRESSION GASKET (ASTM C-564)
 - DUCTILE IRON PIPE: CLASS 52, CEMENT LINED AND TAR COATED INSIDE AND OUT.

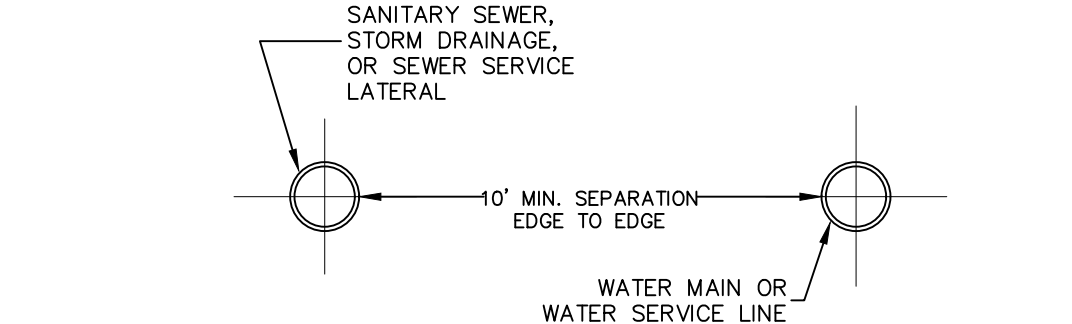
SPECIAL CONDITIONS FOR SHALLOW TRENCH CONDITIONS	
COVER	PIPE
LESS THAN 4'-0"	CLASS 52 DUCTILE IRON OR CAST IRON EXTRA HEAVY OR APPROVED EQUAL.

NOTES:

- ALL APPROVED BUILDING LATERAL SEWER PIPE MATERIAL FOR EACH CONNECTION MADE SHALL BE CONSTRUCTED FROM THE SAME MATERIAL.
- MINIMUM HORIZONTAL SEPARATION BETWEEN SPUR CAP AND SIDEWALK SHALL BE 2'-0". IN ALL CASES THE SPUR CAP LOCATION SHALL EXTEND A MINIMUM HORIZONTAL DISTANCE OF 2'-0" ONTO ALL BUILDING LOT PROPERTIES.
- TRANSITION BETWEEN DIFFERENT PIPE MATERIAL (AS APPROVED) SHALL BE MADE BY INSTALLING A TYPE 1, STYLE 62 DRESSER COUPLING OR DRESSER STYLE 262 HYMAX COUPLING (OR APPROVED EQUAL).
- WYE BRANCH CONNECTION SHALL BE A FITTING CONSTRUCTED SPECIFICALLY FOR THE INSTALLED MAIN LINE SEWER MATERIAL CLASS (OR APPROVED EQUAL).
- THE BUILDING LATERAL SEWER SHOWN FROM THE MAIN LINE SOURCE WYE BRANCH CONNECTION FITTING TO THE SPUR CAP SHALL MEET THE SPECIFICATIONS SHOWN FOR ii) BUILDING LATERAL SEWER.
- 4" BUILDING LATERAL SEWER MAY BE APPROVED FOR CONSTRUCTION OF SINGLE (1) AND TWO (2) FAMILY DWELLINGS ONLY. ALL OTHER BUILDING LATERAL SEWERS (INCLUDING ALL COMMERCIAL USES) SHALL BE 6" IN DIAMETER.
- EACH 6" BUILDING LATERAL SEWER SHALL PROVIDE SERVICE FOR NO MORE THAN TWELVE (12) EQUIVALENT LIVING UNITS, AS DETERMINED BY OCSJ NO. 1, UNLESS A REQUESTED DEVIATION IS APPROVED IN WRITING BY OCSJ NO. 1.



WATER & SEWER CROSSING DETAIL
NOT TO SCALE



WATER & SEWER HORIZONTAL SEPARATION
NOT TO SCALE

SEWER & WATER SEPARATION NOTES

- WHEN IT IS IMPOSSIBLE TO MAINTAIN PROPER HORIZONTAL OR VERTICAL SEPARATION AS SHOWN, THE SEWER SHALL BE DESIGNED AND CONSTRUCTED EQUAL TO THE WATER MAIN, AND SHALL BE PRESSURE TESTED TO ASSURE WATERTIGHTNESS PRIOR TO BACKFILLING.
 - A FULL LENGTH OF BOTH PIPES CROSSING MUST BE CENTERED AT THE CROSSING.
 - BEDDING MATERIAL SHALL BE INCREASED TO 12" BELOW THE LENGTH OF WATER MAIN PIPE FOR 10' ON EITHER SIDE OF THE CROSSING.
 - TWO LAYERS OF CAUTION TRACER TAPE SHALL BE PLACED 18" MINIMUM ABOVE STORM SEWER MAINS.
- NOTES**
- SEPARATION DISTANCE BETWEEN WATER MAINS AND STORM/SEWER MAINS SHALL BE 10' HORIZONTAL AND 18" AT CROSSINGS. THESE SEPARATION DISTANCES MUST BE MAINTAINED UNLESS SPECIFICALLY SHOWN AND INDICATED OTHERWISE ON THE PLANS. THE PREFERRED CROSSING OPTION IS FOR THE WATER MAIN TO BE CONSTRUCTED ABOVE STORM/SEWER MAINS.
 - SEWER MAIN INCLUDES SEWER LATERALS AND STORM DRAIN.
 - WATER MAIN INCLUDES WATER SERVICE LATERALS.
 - DEFLECT WATER MAIN IN AN ARC BENEATH THE SEWER/STORM LINE. DO NOT USE FITTINGS TO DEFLECT THE WATER MAIN.

WATER OVER SEWER SEPARATION NOTES

- FULL LENGTH OF BOTH PIPES CROSSING MUST BE CENTERED AT THE CROSSING SO THAT PIPE JOINTS WILL BE AS FAR FROM EACH OTHER AS POSSIBLE (10' MIN.).
- CONTRACTOR SHALL PROVIDE STRUCTURAL SUPPORT FOR EXISTING WATER MAIN OVER THE ENTIRE TRENCH WIDTH TO PREVENT DAMAGE TO THE WATER MAIN.
- WATER TIGHT JOINTS WHERE WATERLINES ARE CROSSED ABOVE OR BELOW.

REV.	BY	DATE	DESCRIPTION

THIS SHEET IS NOT VALID WITHOUT ALL OF THE SHEETS THAT COMPRISE THE SET

ARDEN CONSULTING ENGINEERS, PLLC
P.O. BOX 340 MONROE, N.Y.
TEL: (845) 782-8114
WWW.ARDENCONSULTING.NET

THREE LOT SUBDIVISION PREPARED FOR
3-5 SAN MARCOS DRIVE
VILLAGE OF SOUTH BLOOMING GROVE,
ORANGE COUNTY, NEW YORK

SANITARY DETAILS

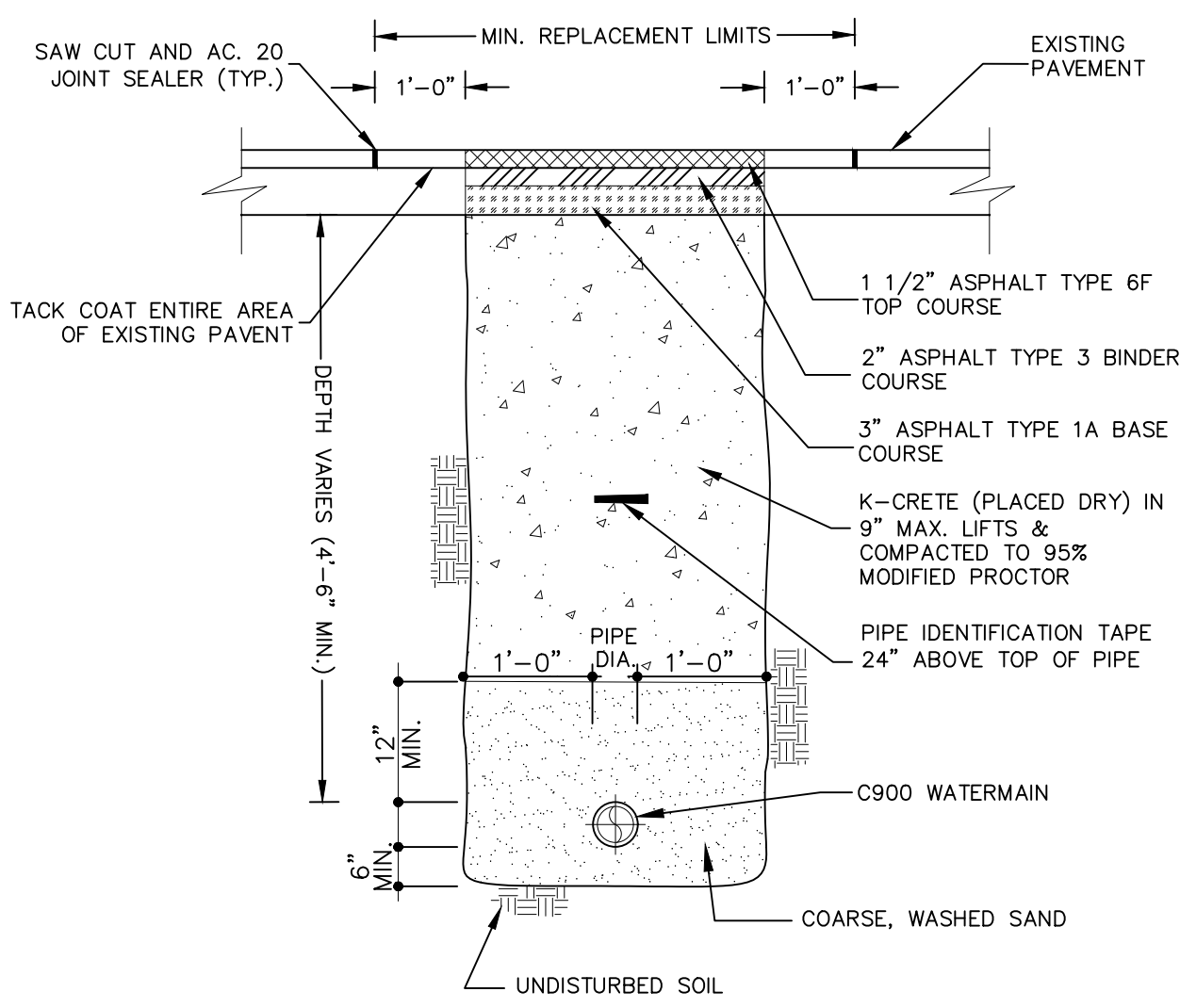
JOB#: 23-019
SCALE: AS NOTED
DATE: 06-09-23
DRAWN: MM
CHECKED: MM
SHEET NO. 09 of 11

MICHAEL A. MORGANTE, P.E.
Lic. No. 78577

WARNING- IT IS A VIOLATION OF NEW YORK EDUCATIONAL LAW, SECTION 7209.2, FOR ANY PERSON, UNLESS ACTING UNDER THE DIRECTION OF A LICENSED PROFESSIONAL ENGINEER OR LAND SURVEYOR, TO ALTER THIS DOCUMENT IN ANY WAY. IF ALTERED, THE ALTERING PERSON SHALL COMPLY WITH THE REQUIREMENTS OF NEW YORK EDUCATIONAL LAW, SECTION 7209.2

ONLY MAPS WITH EMBOSSED SEALS ARE GENUINE COPIES OF THE ORIGINAL WORK AND OPINION. MAPS NOT BEARING EMBOSSED SEALS SHOULD NOT BE RELIED UPON SINCE OTHER THAN EMBOSSED-SEAL COPIES MAY CONTAIN UNAUTHORIZED AND UNDETECTABLE MODIFICATIONS, DELETIONS, ADDITIONS AND CHANGES.

Dig Safely. New York
Call 811
before you dig

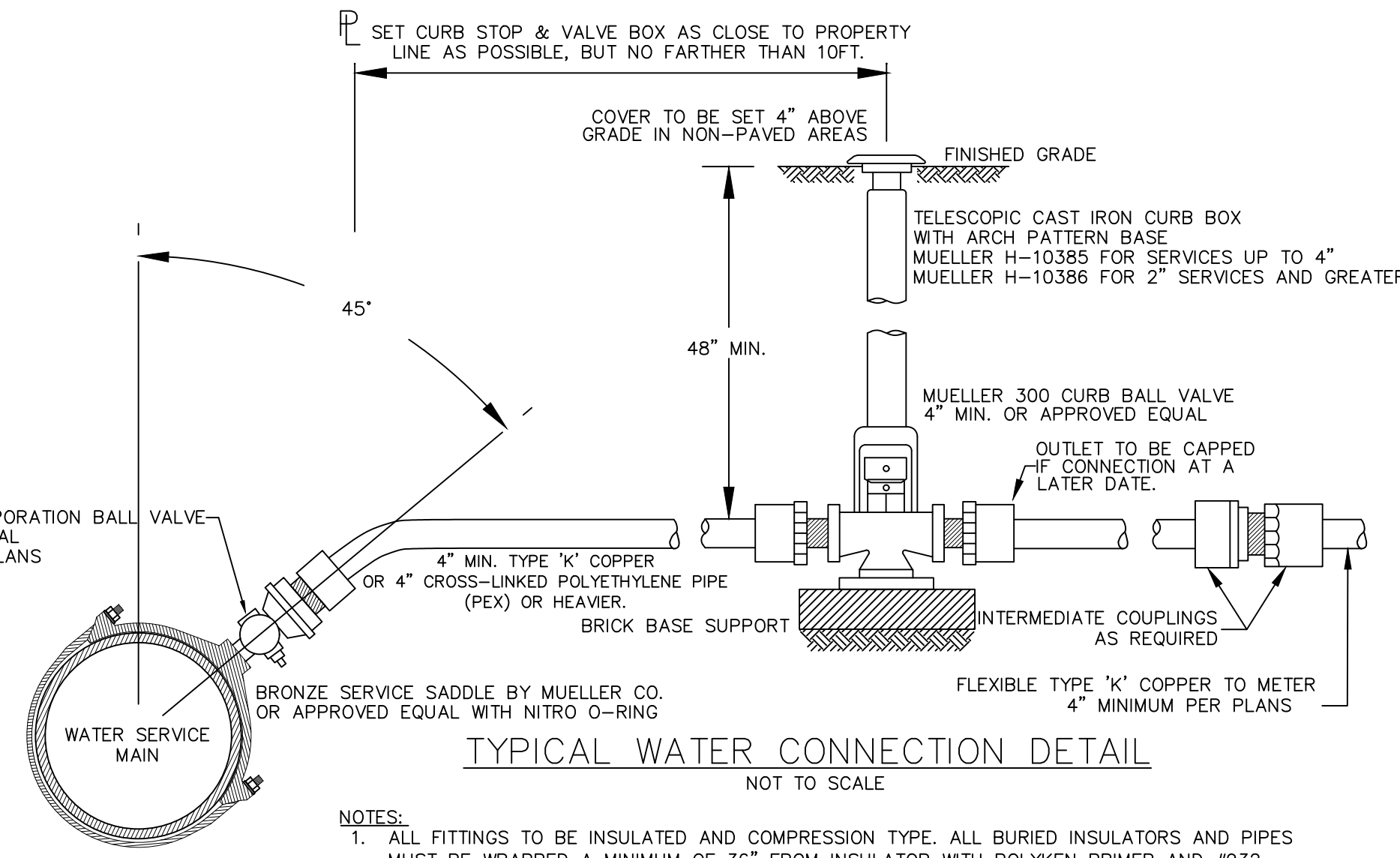


TYPICAL WATER SERVICE INSTALLATION/RESTORATION DETAIL IN VILLAGE STREET
NOT TO SCALE

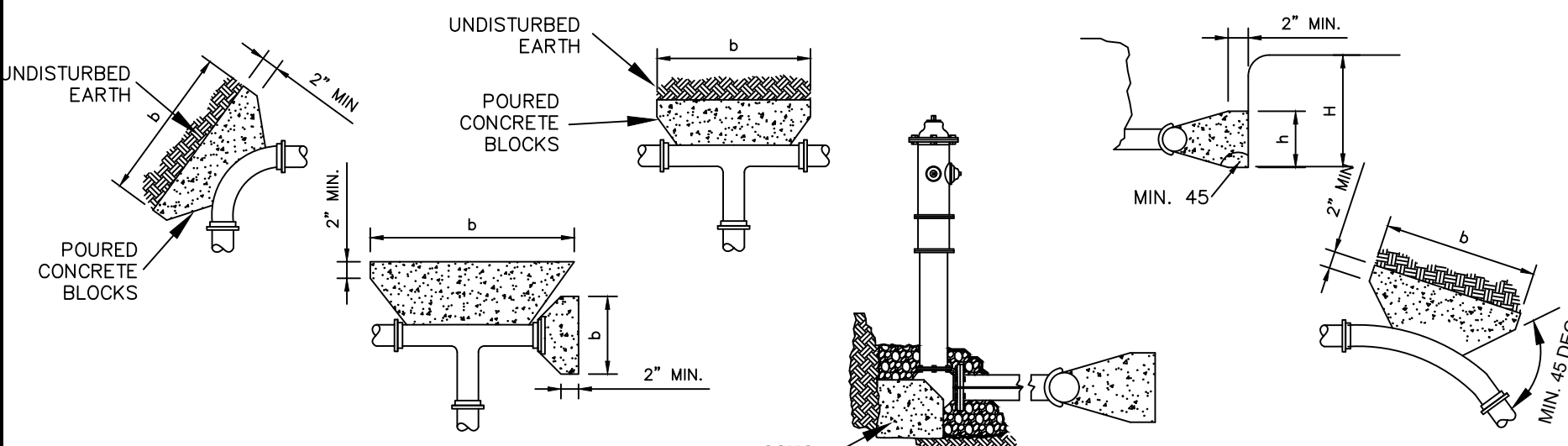
NOTE:
1. PAVEMENT AND SUBBASE MATERIAL SHALL, AT A MINIMUM, MATCH THE EXISTING TYPES AND THICKNESSES FOUND WITHIN ANY TOWN, COUNTY OR STATE HIGHWAY, WHICHEVER IS GREATER.

WATER NOTES

1. ALL WATER SYSTEM INSTALLATIONS SHALL BE IN ACCORDANCE WITH THE REQUIREMENTS OF THE VILLAGE OF SOUTH BLOOMING GROVE, THE ORANGE COUNTY DEPARTMENT OF HEALTH, THE LATEST AWWA STANDARDS, AND "RECOMMENDED STANDARDS FOR WATER WORKS" (2007-GLUMB).
2. DISINFECTION AND TESTING SHALL BE IN ACCORDANCE WITH AWWA C651.
3. PRESSURE AND LEAKAGE TESTING SHALL BE IN ACCORDANCE WITH AWWA C600. P 6. SUPPLIERS RECORDS INDICATE ADEQUATE PRESSURE AND CAPACITY IS AVAILABLE.
4. ALL ELEVATIONS BASED ON TOPOGRAPHICAL INFORMATION PREPARED BY EDWARD T. GANNON, PLS.
5. AVAILABLE INFORMATION AS TO THE LOCATION OF EXISTING SUBSTRUCTURES AND UTILITIES HAS BEEN COLLECTED FROM VARIOUS SOURCES THE RESULTS OF SUCH INVESTIGATIONS, AS MAY BE SHOWN ON THE CONTRACT DRAWINGS, ARE NOT GUARANTEED AS TO ACCURACY. ALL EXISTING UTILITIES ARE SHOWN FOR INFORMATION ONLY. THE CONTRACTOR SHALL DIG TEST PITS AS REQUIRED TO VERIFY TRUE AND EXACT LOCATIONS OF UNDERGROUND LINES.
6. ALL PROFILES INDICATE APPROXIMATE GROUND PROFILES.
7. THE CONTRACTOR SHALL NOTIFY ALL UTILITY COMPANIES, AND DIG SAFELY NEW YORK (1-800-962-7962), A MINIMUM OF 72 HOURS PRIOR TO EXCAVATION, AND SHALL COMPLY WITH ALL CURRENT MARKOUT REQUIREMENTS OF DIG SAFELY NEW YORK.
8. EXCAVATIONS OR TRENCHING WITHIN CLOSE PROXIMITY TO UNDERGROUND FACILITIES OR UTILITY POLES WILL REQUIRE PROTECTION TO PREVENT DAMAGE OR INTERRUPTION OF SERVICE TO UNDERGROUND FACILITIES. THE COST TO PROVIDE THIS PROTECTION WILL BE BORNE BY THE CONTRACTOR.
9. THE CONTRACTOR SHALL BE RESPONSIBLE TO PROTECT EXISTING THRUST BLOCKS WHICH ARE RESTRAINING EXISTING UTILITIES. EXISTING THRUST BLOCKS SHALL NOT BE UNDERMINED.
10. ALL TRENCH LINES SHALL BE CUT OR MILLED.
11. THE CONTRACTOR SHALL COMPLY WITH ALL ROAD OPENING REQUIREMENTS AND ORDINANCES OF THE GOVERNING AGENCY.
12. RESTORATION, INCLUDING THE REMOVAL OF EXCESS EXCAVATED MATERIAL AND PLACEMENT OF TEMPORARY PAVEMENT, SHALL BE PERFORMED AND COMPLETED ON A DAILY BASIS. ALL ROADS SHALL BE PASSABLE TO VEHICULAR TRAFFIC AT THE END OF EACH WORK DAY.
13. ALL TRENCHES SHALL BE BACKFILLED WITHOUT DELAY. OPEN TRENCHES SHALL BE KEPT TO A MINIMUM. OPEN TRENCHES SHALL BE STEEL PLATED. UPON BACKFILLING THE CONTRACTOR SHALL BROOM SWEEP STREETS, USE APPROPRIATE METHODS TO CONTROL DUST AND HOSE DOWN THE PAVEMENT TO KEEP SURFACE CLEAN.
14. THE CONTRACTOR SHALL BE RESPONSIBLE FOR REMOVAL AND DISPOSAL OF ALL EXCESS EXCAVATED MATERIAL TO AN OFF-SITE LOCATION.
15. THE CONTRACTOR SHALL FURNISH AND INSTALL CORPORATIONS WHEREVER NECESSARY FOR PRESSURE TESTING AND DISINFECTING THE WATER MAIN. CORPORATIONS SHALL BE 3/4" FOR MAINS SMALLER THAN 16" AND 1" FOR MAINS 16" AND LARGER. THE CONTRACTOR SHALL INSTALL AS MANY CORPORATIONS AS ARE REQUIRED FOR PROPER TESTING, FLUSHING, AIR BLEEDING AND DISINFECTION.
16. TO MAINTAIN THE HORIZONTAL AND VERTICAL ALIGNMENT SHOWN ON THE PLANS, PIPE JOINTS MAY BE DEFLECTED IN ACCORDANCE WITH THE MANUFACTURER'S INSTRUCTIONS, UNLESS THE SPECIFICATIONS INDICATE A MORE STRINGENT REQUIREMENT. IF NECESSARY, EITHER TO MAINTAIN THE ALIGNMENT SHOWN OR TO ADJUST THE ALIGNMENT TO MEET ACTUAL FIELD CONDITIONS, ADDITIONAL FITTINGS SHALL BE INSTALLED AS REQUIRED.
17. ALL STATIONING SHOWN ON PLANS IS APPROXIMATE.
18. ALL CONSTRUCTION ACTIVITIES ARE TO BE CONFINED TO THE PUBLIC RIGHT-OF-WAY OR TO THE LIMITS DEPICTED ON THE CONTRACT DRAWINGS.
19. THE WATER MAIN SHALL BE INSTALLED WITH A MINIMUM OF FOUR AND ONE HALF (4.5) FEET OF COVER. ANY DEVIATION FROM THIS WILL REQUIRE AUTHORIZATION FROM THE VILLAGE OF SOUTH BLOOMING GROVE ENGINEER.
20. THE CONTRACTOR SHALL TAKE STEPS NECESSARY TO PRESERVE EXISTING CURB AND MINIMIZE THE LENGTH OF CURBING THAT MUST BE REPLACED.
21. THE CONTRACTOR IS CAUTIONED THAT ALL SANITARY LATERALS AND UTILITY SERVICES HAVE NOT BEEN LOCATED. WHEN THE CONTRACTOR ENCOUNTERS AN OBSTRUCTION AND CANNOT ADJUST THE ALIGNMENT USING ALLOWABLE JOINT DEFLECTION, THE CONTRACTOR SHALL REFER TO THE WATER MAIN DETAIL SHEETS. THE CONTRACTOR WILL BE RESPONSIBLE FOR THE PROMPT REPAIR OF DAMAGED UTILITIES, AND SHALL RESTORE THE SITES AS NEATLY AS POSSIBLE TO THEIR ORIGINAL CONDITION.
22. THE CONTRACTOR SHALL PROTECT ALL STRUCTURES, ROADS, PIPELINES, TREES, SHRUBBERY, GRASS AREAS, ETC. DURING THE PROGRESS OF THE WORK AND SHALL REMOVE DAILY FROM THE SITE ALL DEBRIS AND UNUSED MATERIALS. UPON COMPLETION OF THE WORK, THE CONTRACTOR SHALL RESTORE THE SITES AS NEATLY AS POSSIBLE TO THEIR ORIGINAL CONDITION.
23. ALL SIDEWALK AREAS SHALL BE PASSABLE AND BROOM SWEEP AT THE END OF EACH WORK DAY.
24. DURING FLUSHING AND PRESSURE TESTING OF THE MAIN, THE VILLAGE OF SOUTH BLOOMING GROVE SHALL OPERATE ALL VALVES.
25. REFER TO DETAIL SHEET FOR STANDARD DETAILS.



NOTES:
1. ALL FITTINGS TO BE INSULATED AND COMPRESSION TYPE. ALL BURIED INSULATORS AND PIPES MUST BE WRAPPED A MINIMUM OF 36" FROM INSULATOR WITH POLYKEN PRIMER AND #932 HI-TACK JOINT WRAP TAPE OR APPROVED EQUAL.
2. PROVIDE A TYPICAL HORIZONTAL "S" CURVE BETWEEN THE CORPORATION STOP AND CURB STOP.



NOTES:
TO DETERMINE THRUST AT PRESSURES OTHER THAN 100 PSI. MULTIPLY THE THRUST OBTAINED IN THE TABLE BY THE RATIO OF THE PRESSURE TO 100.

$$\text{BEARING AREA (SF)} = \frac{\text{THRUST FORCE AT FITTING (LB.S)}}{\text{BEARING CAPACITY OF UNDISTURBED SOIL (LB.S/S.F)}}$$

$$\text{GRAVITY BLOCK SIZE (C.F.)} = \frac{\text{THRUST FORCE AT FITTING (LB.S)}}{\text{CONCRETE DENSITY 145 (LB.S/C.F.)}}$$

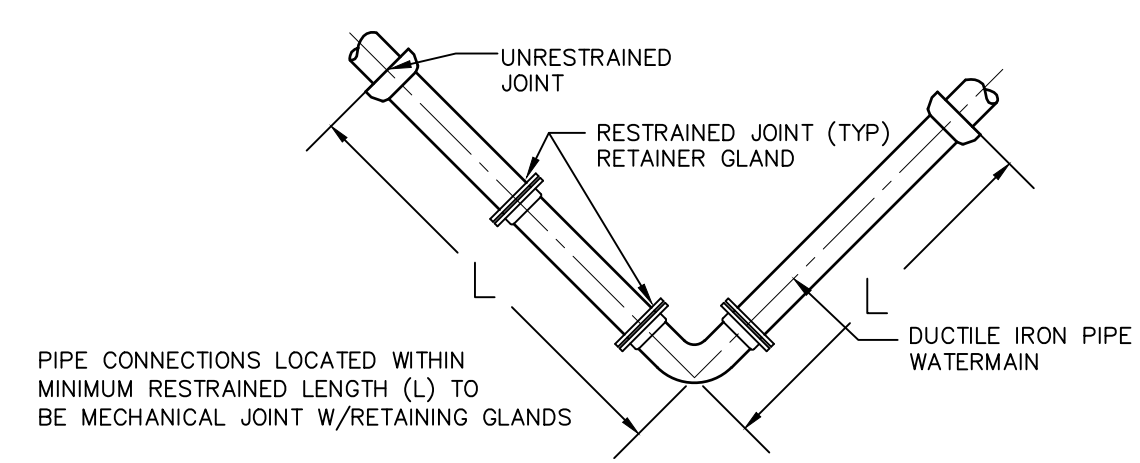
- NOTES:
1. PLACE 8 MIL. POLYETHYLENE BETWEEN CONCRETE AND FITTING (CONCRETE SHALL NOT INTERFERE WITH JOINT.)
2. MINIMUM CONCRETE THICKNESS SHALL BE 12 INCHES.
3. THE HORIZONTAL DIMENSION (b) OF THE BEARING AREA SHALL BE BETWEEN 1.0 AND 2.0 TIMES THE VERTICAL DIMENSION (h). (h <= b <= 2h)
4. THE VERTICAL DIMENSION (h) OF THE BEARING AREA SHALL BE EQUAL TO ONE-HALF THE TOTAL DEPTH (H) TO THE BOTTOM OF THE THRUST BLOCK BUT NOT LESS THAN THE OUTSIDE DIAMETER (Do) OF THE FITTING (Do < h <= H/2).
5. THRUST BLOCK ORIENTATION SHALL BE SUCH THAT THE CENTER OF FITTING CORRESPONDS WITH THE CENTER OF THE THRUST BLOCK.
6. THE MINIMUM ALLOWABLE ANGLE (EITHER VERTICAL OR HORIZONTAL) SHALL BE 45 DEGREES.

NOM. PIPE DIA. (IN)	DEAD END	90 BEND	45 BEND	22 1/2 BEND	11 1/4 BEND
3	1,232	1,742	943	481	241
4	1,810	2,559	1,385	706	355
6	3,739	5,288	2,862	1,459	733
8	6,433	9,091	4,923	2,510	1,261
10	9,677	13,685	7,406	3,776	1,897
12	13,685	19,353	10,474	5,340	2,683
14	18,385	26,001	14,072	7,174	3,604
16	23,779	33,628	18,199	9,278	4,661
18	29,865	42,235	22,858	11,653	5,855
20	36,644	51,822	28,046	14,298	7,183
24	52,279	73,934	40,013	20,398	10,249
30	80,425	113,738	61,554	31,380	15,766
36	115,209	162,931	88,177	44,952	22,585
42	155,528	219,950	119,036	60,684	30,489
48	209,683	290,637	155,127	79,083	39,733
54	260,214	367,999	199,160	101,531	51,011
60	298,121	42,606	228,172	116,321	58,442
64	338,707	479,004	259,235	132,157	66,398

TYPE OF SOIL	ALLOWABLE SOIL BEARING CAPACITY
MUCK, PETE, ETC.	0 LB. / FT. SQ.
SOFT CLAY	500 LB. / FT. SQ.
FINE SAND	1,000 LB. / FT. SQ.
DECOMPOSED GRANITE (D.G.)	1,500 LB. / FT. SQ.
SANDY GRAVEL	2,000 LB. / FT. SQ.
CEMENTED SANDY GRAVEL	4,000 LB. / FT. SQ.
HARD SHALE	5,000 LB. / FT. SQ.
GRANITE	10,000 LB. / FT. SQ.

NOTES:
* IN MUCK, PEAT OR OTHER INCOMPETENT SOILS, RESISTANCE SHALL BE ACHIEVED BY REMOVAL AND REPLACEMENT WITH BALLAST OF SUFFICIENT STABILITY TO RESIST THE INTENDED THRUSTS. DESIGN OF THRUST RESTRAINT SYSTEMS IN SUCH CASES SHALL BE PREPARED BY A QUALIFIED GEOTECHNICAL ENGINEER AND SHALL BE APPROVED BY THE AGENCY ENGINEER.
** FIRE HYDRANTS THAT DEAD END PIPE RUNS, WILL NEED THRUST BLOCKS. THRUST BLOCKS ARE TO BE DESIGNED BY A NYSPE AND SUBMITTED TO SUEZ UNDER SHOP DRAWING REVIEW PROCESS.

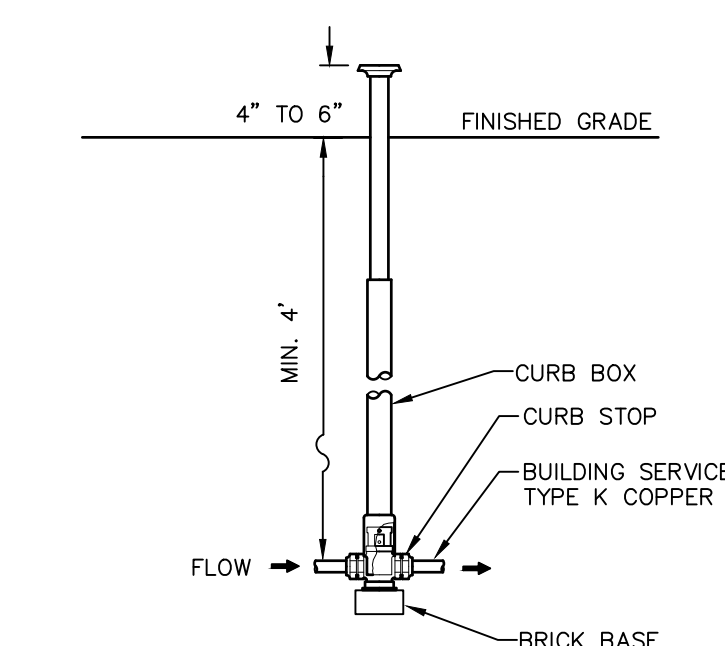
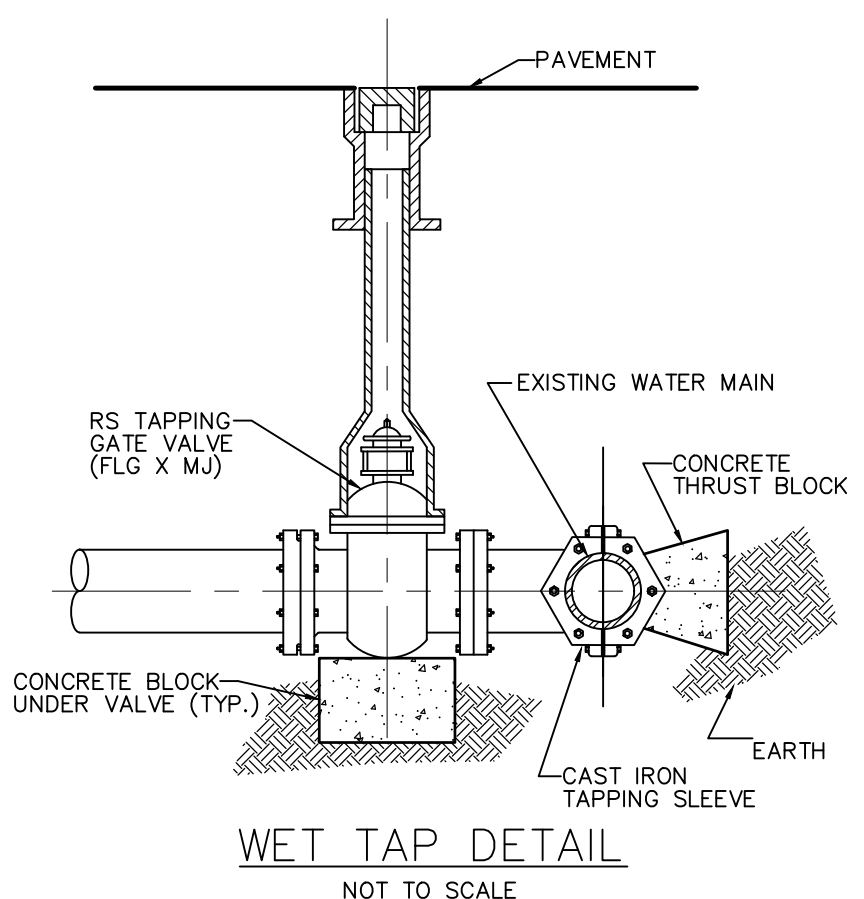
TYPICAL THRUST BLOCK DETAIL
NOT TO SCALE



NOMINAL PIPE SIZE (IN)	BURY DEPTH (FT)	INTERNAL PRESSURE (PSI)	SOIL DESIGNATION	LAYING CONDITION (*)	RESTRAINED LENGTH (FT) = L (**)
6	4.5	150	SAND SILT	5	38 17 7 4 2
8	4.5	150	SAND SILT	5	50 21 16 5 3

(*) LAYING CONDITION TYPE AS DESCRIBED IN STANDARD ANSI/AWWA C150/A21.50
(**) RESTRAINED LENGTH AS PER "THRUST RESTRAINT DESIGN FOR DUCTILE IRON PIPE", LATEST EDITION, DUCTILE IRON PIPE RESEARCH ASSOCIATION

WATER JOINT RESTRAINT DETAIL
NOT TO SCALE



NOTES:
CURB STOP TO BE MUELLER H15200, OR EQUAL
CURB BOX TO BE MUELLER H10306 WITH ROD, OR EQUAL

CURB STOP DETAIL
NOT TO SCALE

REV.	BY	DATE	DESCRIPTION

THIS SHEET IS NOT VALID WITHOUT ALL OF THE SHEETS THAT COMPRISE THE SET

ARDEN CONSULTING ENGINEERS, PLLC
P.O. BOX 340 MONROE, N.Y.
TEL: (845) 782-8114
WWW.ARDENCONSULTING.NET

THREE LOT SUBDIVISION PREPARED FOR
3-5 SAN MARCOS DRIVE
VILLAGE OF SOUTH BLOOMING GROVE,
ORANGE COUNTY, NEW YORK

WATER SUPPLY DETAILS

JOB#: 23-019
SCALE: AS NOTED
DATE: 06-09-23
DRAWN: MM
CHECKED: MM
SHEET NO. 10 of 11

MICHAEL A. MORGANTE, P.E.
LIC. NO. 78577

WARNING- IT IS A VIOLATION OF NEW YORK EDUCATIONAL LAW, SECTION 7209.2, FOR ANY PERSON, UNLESS ACTING UNDER THE DIRECTION OF A LICENSED PROFESSIONAL ENGINEER OR LAND SURVEYOR TO REPRODUCE THIS DOCUMENT IN ANY WAY, IF ALTERED, THE ALTERING PERSON SHALL COMPLY WITH THE REQUIREMENTS OF NEW YORK EDUCATIONAL LAW, SECTION 7209.2

Dig Safely. New York
Call 811
before you dig

ONLY MAPS WITH EMBOSSED SEALS ARE GENUINE COPIES OF THE ORIGINAL WORK AND OPINION. MAPS NOT BEARING EMBOSSED SEALS SHOULD NOT BE RELIED UPON SINCE OTHER THAN EMBOSSED-SEAL COPIES MAY CONTAIN UNAUTHORIZED AND UNDETECTABLE MODIFICATIONS, DELETIONS, ADDITIONS AND CHANGES.

